

ADI 112



Short description

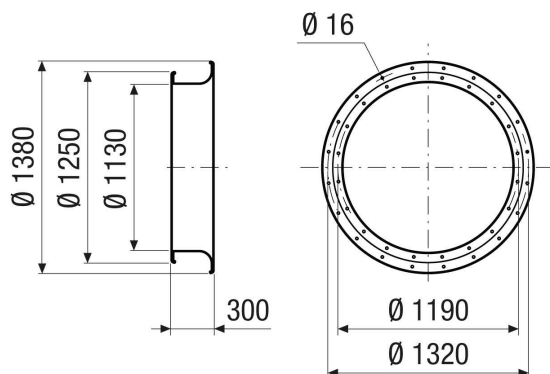
Suction nozzle for turbulence-reduced air intake, sheet steel, DN 1120

Article number 0073.0239

Technical data

Air direction	Ventilation and air extraction
Material	Sheet steel
Colour	Silver
Weight	37,5 kg
Weight including packaging	37,5 kg
Suitable for nominal size	1.120 mm
Width	1.380 mm
Height	1.380 mm
Depth	300 mm
Width with packaging	1.380 mm
Height with packaging	1.380 mm
Depth with packaging	300 mm
Packing unit	1 piece
Range	C
GTIN (EAN)	4012799732396

Dimensioned drawing [mm]



ADI 112

