

ADI 71



Short description

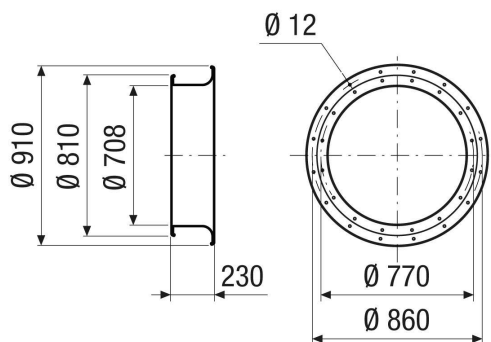
Suction nozzle for turbulence-reduced air intake, sheet steel, DN 710

Article number 0073.0235

Technical data

Air direction	Ventilation and air extraction
Material	Sheet steel
Colour	Silver
Weight	12,4 kg
Weight including packaging	12,4 kg
Suitable for nominal size	710 mm
Width	910 mm
Height	910 mm
Depth	230 mm
Width with packaging	910 mm
Height with packaging	910 mm
Depth with packaging	230 mm
Packing unit	1 piece
Range	C
GTIN (EAN)	4012799732358

Dimensioned drawing [mm]





ADI 71