

# ADI 80



## Short description

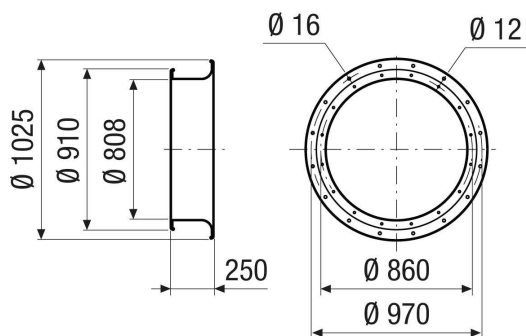
Suction nozzle for turbulence-reduced air intake, sheet steel, DN 800

Article number 0073.0236

## Technical data

Air direction	Ventilation and air extraction
Material	Sheet steel
Colour	Silver
Weight	15,2 kg
Weight including packaging	15,2 kg
Suitable for nominal size	800 mm
Width	1.025 mm
Height	1.025 mm
Depth	250 mm
Width with packaging	1.025 mm
Height with packaging	1.025 mm
Depth with packaging	250 mm
Packing unit	1 piece
Range	C
GTIN (EAN)	4012799732365

## Dimensioned drawing [mm]



# ADI 80

