

# AE 10



## Short description

Electrical internal shutter, plastic, DN 100, traffic white

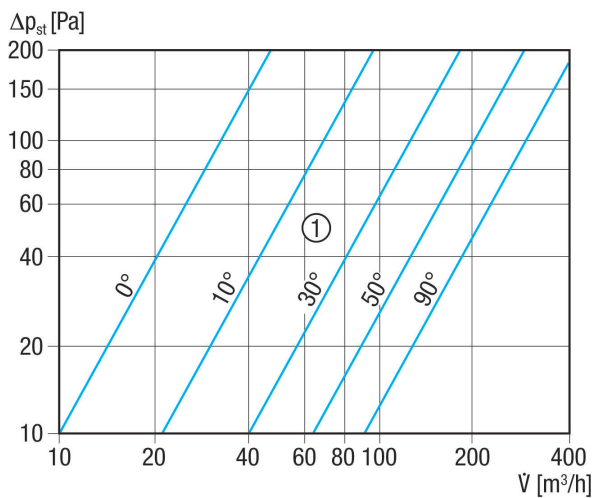
Article number 0151.0300

## Technical data

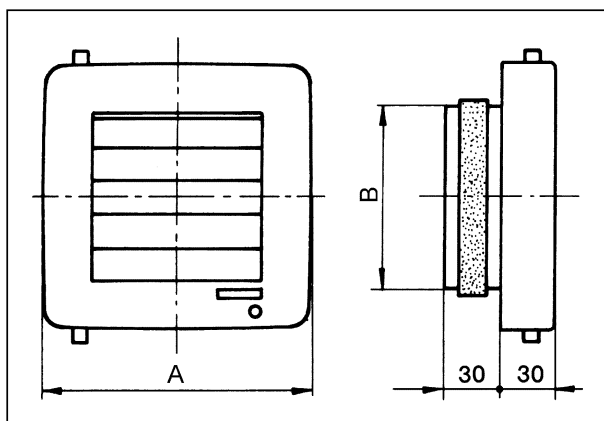
Air direction	Ventilation and air extraction
Type of voltage	Alternating current
Rated voltage	230 V
Frequency	50 Hz
Power consumption	10 W
$I_{max}$	0,04 A
Degree of protection	IP 20
Installation	Inside
Installation site	Wall / Ceiling
Installation position	vertical / horizontal
Material	Synthetic material
Colour	Traffic white, similar to RAL 9016
Weight	0,2 kg
Weight including packaging	0,266 kg
Type of shutter	electrical
Suitable for nominal size	100 mm
Width	146 mm
Height	146 mm
Depth	60 mm
Width with packaging	175 mm
Height with packaging	150 mm
Depth with packaging	80 mm
Ambient temperature	40 °C
Packing unit	1 piece
Range	A
GTIN (EAN)	4012799513001

# AE 10

## Characteristic curve AE 10



## Dimensioned drawing [mm]



A	B
146	98