

# AKE 150



## Short description

Automatic cellar dehumidification, DN 150, air volume 250 m<sup>3</sup>/h

## Application examples

Cellar and/or cellar room, Utility room, Drying room, Utility room

Article number 0084.0099

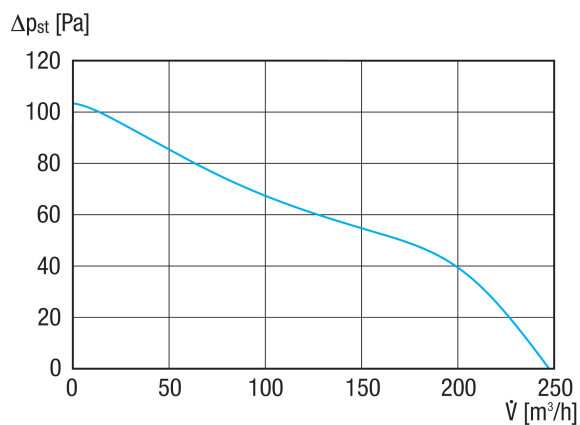
## Technical data

Air flow volume	250 m <sup>3</sup> /h
Rotating speed	2.189 1/min
Speed controllable	–
Reversing capacity	–
SEC average	-24,48 kWh/(m <sup>2</sup> ·a)
Type of voltage	Alternating current
Rated voltage	230 V
Frequency	50 Hz
Nominal output	19 W
Stand-by power consumption	2 W
I <sub>max</sub>	0,09 A
Degree of protection	IP X4
Mains cable	5 x 1,5 mm <sup>2</sup>
Installation site	Wall
Type of installation	Surface-mounted
Installation position	any
Material	Synthetic material
Colour	Traffic white, similar to RAL 9016
Weight	1,8 kg
Weight including packaging	2,37 kg
Shutter	none
Nominal size	150 mm
Cable length	1 m
Width	228 mm
Height	228 mm
Depth	178,3 mm
Width with packaging	303 mm
Height with packaging	273 mm
Depth with packaging	303 mm

# AKE 150

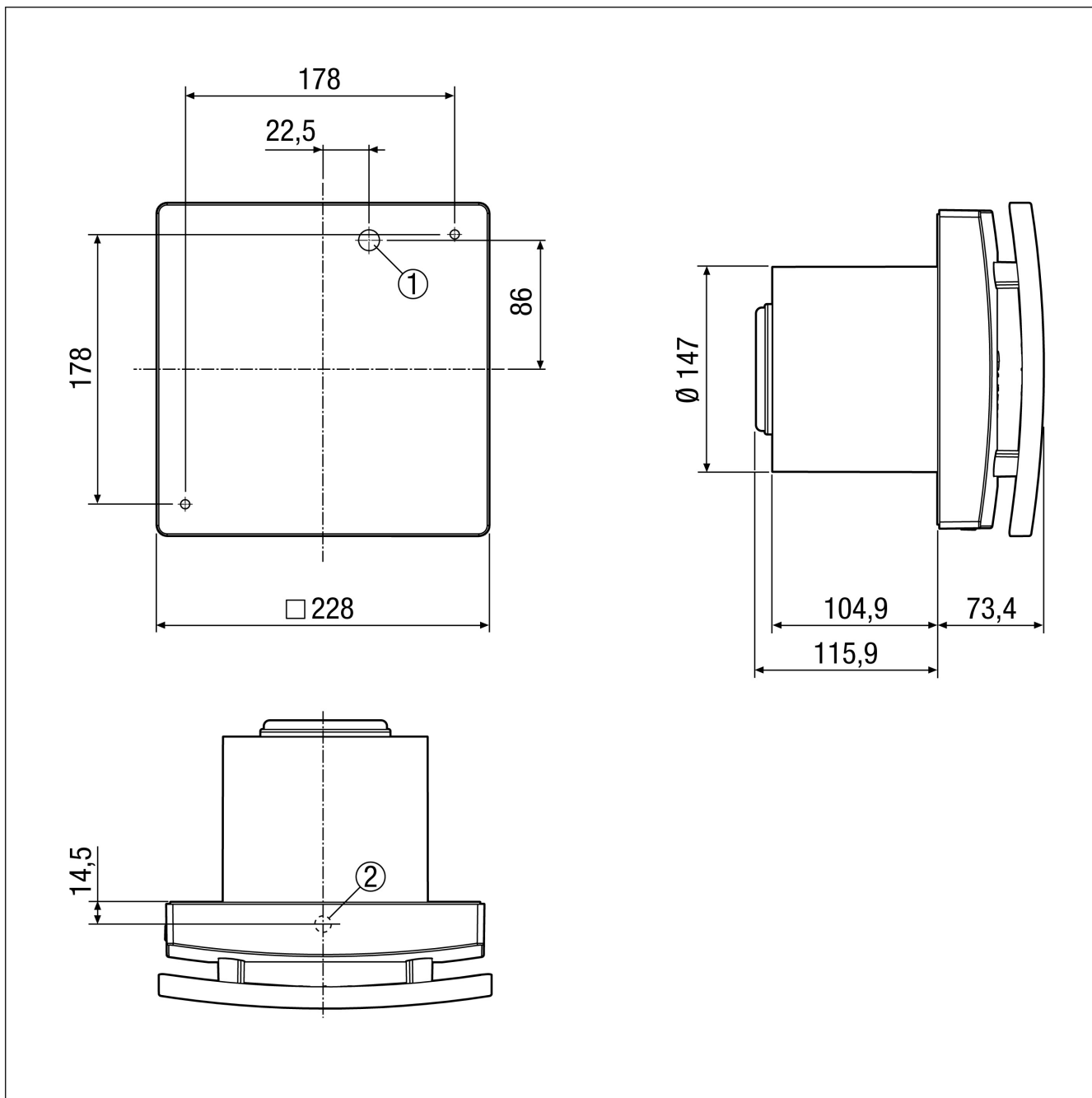
Wall thickness	max. 0.85 m (if a 1m length of cable isn't sufficient, please also order the 6m sensor cable)
Airstream temperature at $I_{Max}$	40 °C
Sound pressure level	40 dB(A) (Distance 3 m, Free-field conditions)
Packing unit	1 piece
Range	A
GTIN (EAN)	4012799840992

## Characteristic curve



# AKE 150

Dimensioned drawing [mm]



- ① Cable entry for recessed-mounted connection
- ② Cable bushing for surface-mounted connection

# AKE 150

Dimensioned drawing [mm]

