

ALD 12 SVA



Short description

Sound-insulated outside air opening for decentralised domestic ventilation, continuously variable, manual shutters, pure white, DN 125

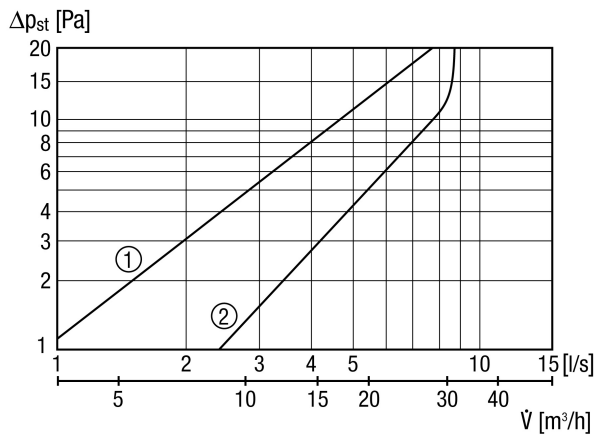
Article number 0152.0053

Technical data

Air direction	Ventilation
Max. volumetric flow	30 m ³ /h
Installation site	Wall
Grille material	Synthetic (internal grille) / Stainless steel (external grille)
Housing material	Synthetic material
Colour	Pure white, similar to RAL 9010
Weight	1 kg
Weight including packaging	1,3 kg
Type of filter	Dust filter
Filter class	G2
Type of shutter	manual
Nominal size	125 mm
Width with packaging	585 mm
Height with packaging	180 mm
Depth with packaging	160 mm
Ambient temperature	60 °C
Rated max. element normal difference in noise level D _{n,w}	51 dB
Packing unit	1 piece
Range	B
GTIN (EAN)	4012799520535

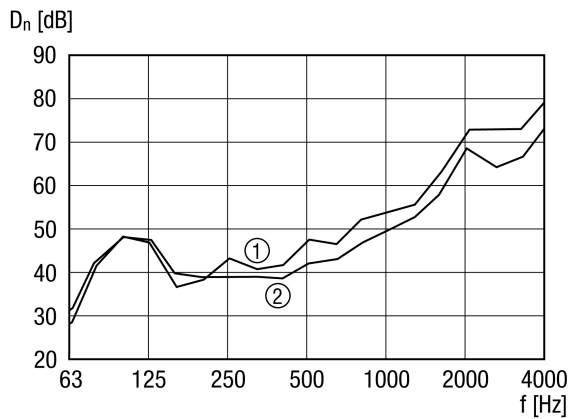
ALD 12 SVA

Characteristic curve Pressure losses



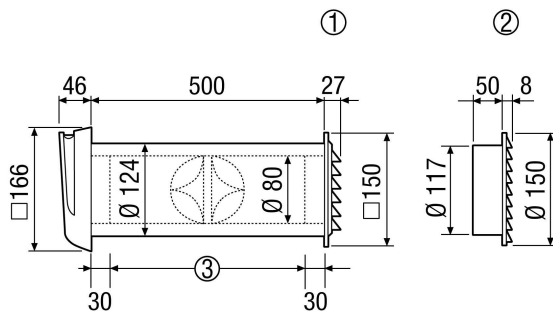
- ① Dust filter G3
- ② Dust filter G2

Characteristic curve



- ① Difference in standard sound level with wall thickness of 500 mm
- ② Difference in standard sound level with wall thickness of 400 mm

Dimensioned drawing [mm]



- ① Rectangular plastic external grille ALD 12 S
- ② Round stainless steel external grille ALD 12 SVA
- ③ Shorten to wall thickness if required