

ALD 160



Short description

Sound-insulated outside air opening for decentralised domestic ventilation with manual shutter and plastic external grille, DN 160

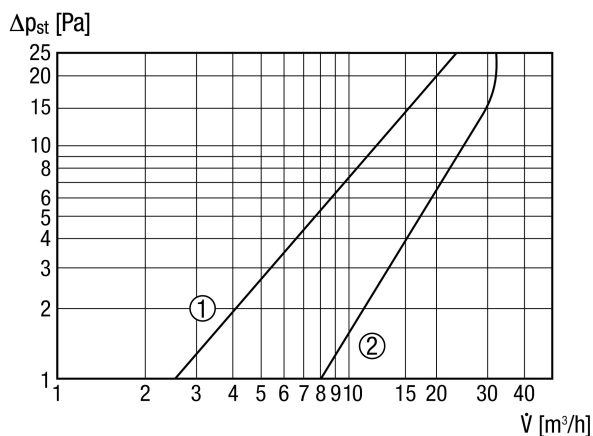
Article number 0152.0069

Technical data

Air direction	Ventilation
Max. volumetric flow	30 m ³ /h
Installation site	Wall
Grille material	Synthetic material
Housing material	Synthetic material
Colour	Pure white, similar to RAL 9010
Weight	1,44 kg
Weight including packaging	1,73 kg
Type of filter	Dust filter
Filter class	ISO Coarse 30 % (G2)
Type of shutter	manual, can be locked
Nominal size	160 mm
Width	175 mm
Height	175 mm
Depth	572,5 mm
Width with packaging	190 mm
Height with packaging	190 mm
Depth with packaging	585 mm
Ambient temperature	60 °C
Rated max. element normal difference in noise level $D_{n,w}$	53 dB
Packing unit	1 piece
Range	B
GTIN (EAN)	4012799520696

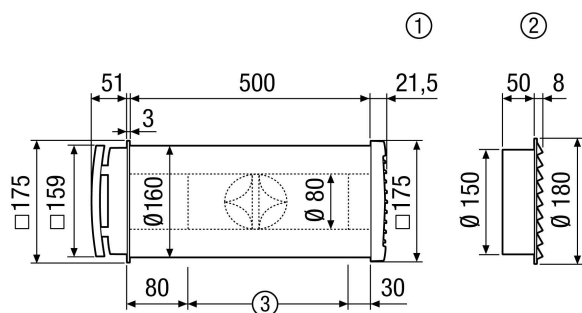
ALD 160

Characteristic curve Pressure losses



- ① ISO Coarse 45% dust filter (G3)
- ② ISO Coarse 30% dust filter (G2)

Dimensioned drawing [mm]



- ① ALD 160 square plastic external grille
- ② ALD 160 VA round stainless steel external grille
- ③ Shorten to wall thickness if necessary