

AS 50



Short description

Airstream-operated shutter, DN 500, with galvanised grille

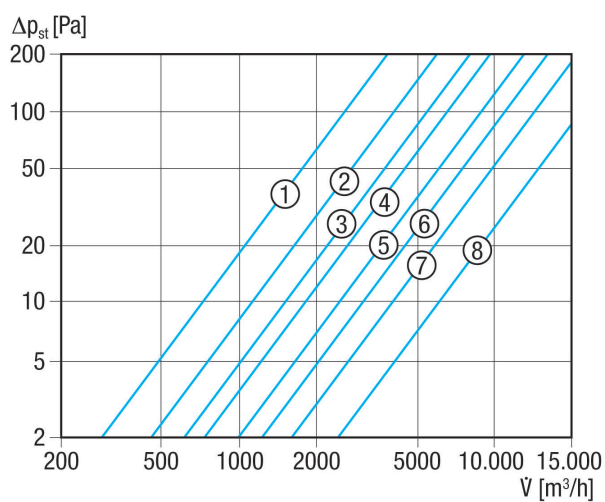
Article number 0151.0336

Technical data

Air direction	Air extraction
Installation	outside
Installation site	Wall
Installation position	vertical / horizontal
Material	Synthetic material, weather and UV resistant
Colour	Traffic white, similar to RAL 9016
Lamella colour	Silver grey
Weight	1,86 kg
Weight including packaging	2,23 kg
Type of shutter	Airstream-operated opening/closing
Nominal size	500 mm
Width	578 mm
Height	578 mm
Depth	41 mm
Width with packaging	645 mm
Height with packaging	590 mm
Depth with packaging	50 mm
Ambient temperature	60 °C
Packing unit	1 piece
Range	C
GTIN (EAN)	4012799513360

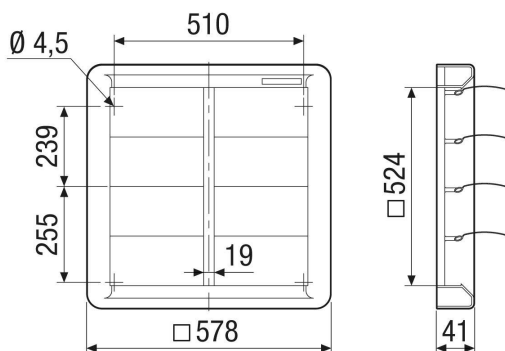
AS 50

Characteristic curve Pressure losses



- ① AS 20
- ② AS 25
- ③ AS 30
- ④ AS 35
- ⑤ AS 40
- ⑥ AS 45
- ⑦ AS 50
- ⑧ AS 60

Dimensioned drawing [mm]



- ① Number of lamellae 10