

AVM 12



Short description

Automatic duct shutter, DN 125

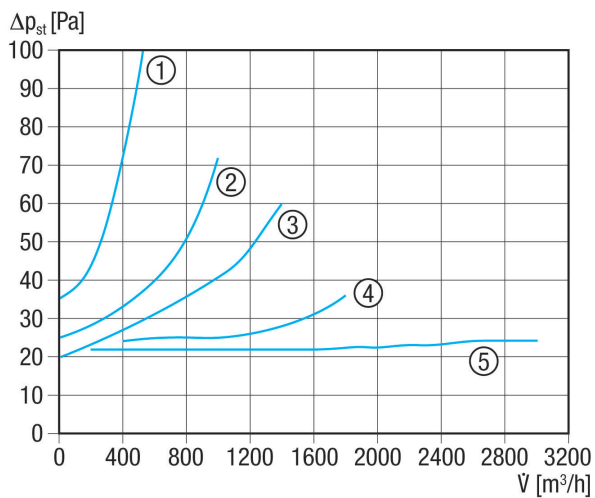
Article number 0093.0003

Technical data

| | |
|----------------------------|------------------------------------|
| Air direction | Ventilation or air extraction |
| Installation position | vertical / horizontal |
| Material | Sheet steel, galvanised |
| Weight | 0,35 kg |
| Weight including packaging | 0,4 kg |
| Type of shutter | Airstream-operated opening/closing |
| Nominal size | 125 mm |
| Width | 124 mm |
| Height | 124 mm |
| Depth | 88 mm |
| Width with packaging | 124 mm |
| Height with packaging | 124 mm |
| Depth with packaging | 88 mm |
| Packing unit | 1 piece |
| Range | C |
| GTIN (EAN) | 4012799930037 |

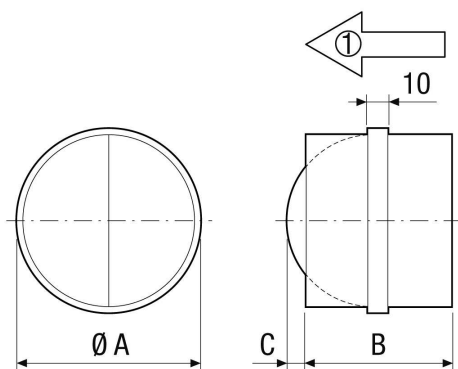
AVM 12

Characteristic curve Pressure losses



- ① AVM 10
- ② AVM 12
- ③ AVM 15
- ④ AVM 16
- ⑤ AVM 20, AVM 25, AVM 31, AVM 35, AVM 40

Dimensioned drawing [mm]



| | A | B | C |
|----------------------|-----|----|----|
| | 125 | 88 | 19 |
| ① Air flow direction | | | |