

AVM 18



Short description

Automatic duct shutter, DN 180

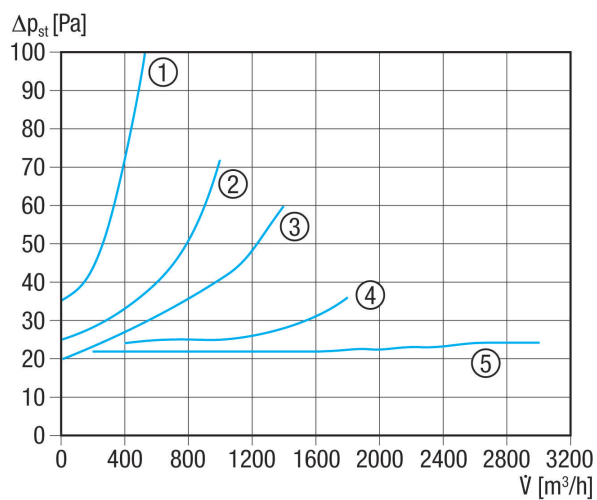
Article number 0093.0005

Technical data

Air direction	Ventilation or air extraction
Installation position	vertical / horizontal
Material	Sheet steel, galvanised
Weight	0,2 kg
Weight including packaging	0,354 kg
Type of shutter	Airstream-operated opening/closing
Nominal size	180 mm
Width	179 mm
Height	179 mm
Depth	90 mm
Width with packaging	190 mm
Height with packaging	190 mm
Depth with packaging	93 mm
Packing unit	1 piece
Range	C
GTIN (EAN)	4012799930051

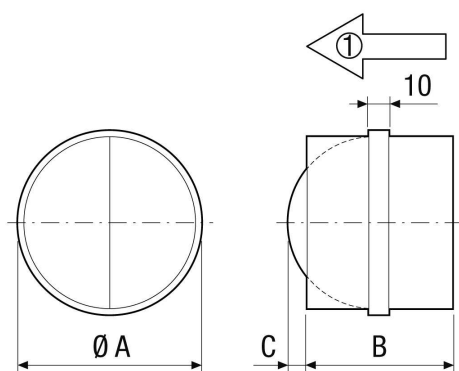
AVM 18

Characteristic curve Pressure losses



- ① AVM 10
- ② AVM 12
- ③ AVM 15
- ④ AVM 16
- ⑤ AVM 18, AVM 20, AVM 25, AVM 28, AVM 31, AVM 35, AVM 40

Dimensioned drawing [mm]



A	B	C
180	88	46