

# AVM 25



## Short description

Automatic duct shutter, DN 250

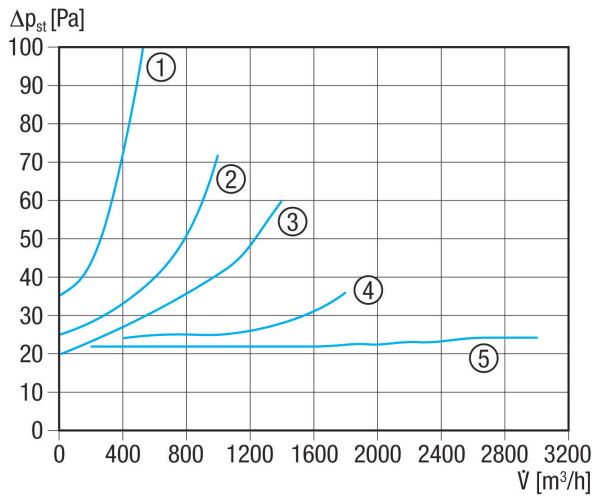
Article number 0093.0007

## Technical data

Air direction	Ventilation or air extraction
Installation position	vertical / horizontal
Material	Sheet steel, galvanised
Weight	1,1 kg
Weight including packaging	1,13 kg
Type of shutter	Airstream-operated opening/closing
Nominal size	250 mm
Width	248 mm
Height	248 mm
Depth	128 mm
Width with packaging	248 mm
Height with packaging	248 mm
Depth with packaging	128 mm
Packing unit	1 piece
Range	C
GTIN (EAN)	4012799930075

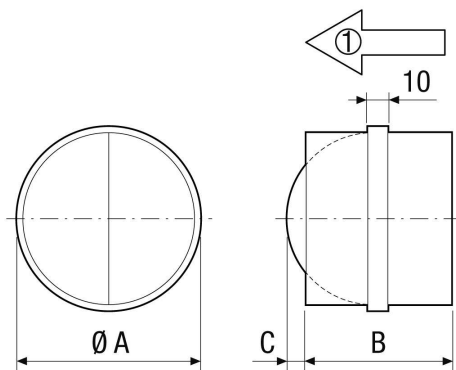
# AVM 25

## Characteristic curve Pressure losses



- ① AVM 10
- ② AVM 12
- ③ AVM 15
- ④ AVM 16
- ⑤ AVM 20, AVM 25, AVM 31, AVM 35, AVM 40

## Dimensioned drawing [mm]



A	B	C
250	128	61

① Air flow direction