

AVM 31



Short description

Automatic duct shutter, DN 315

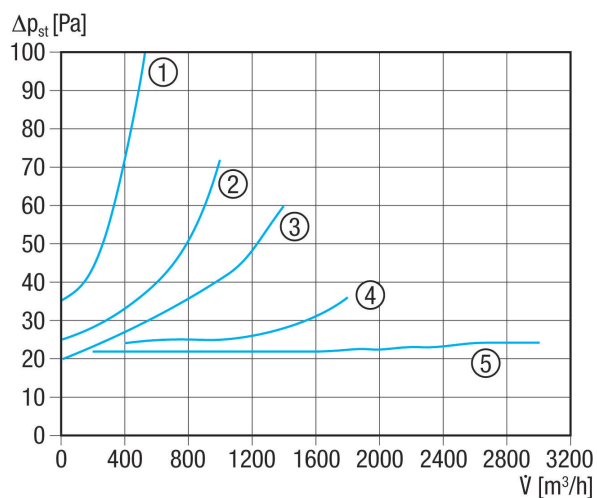
Article number 0093.0009

Technical data

Air direction	Ventilation or air extraction
Installation position	vertical / horizontal
Material	Sheet steel, galvanised
Weight	1,7 kg
Weight including packaging	1,71 kg
Type of shutter	Airstream-operated opening/closing
Nominal size	315 mm
Width	313 mm
Height	313 mm
Depth	128 mm
Width with packaging	313 mm
Height with packaging	313 mm
Depth with packaging	128 mm
Packing unit	1 piece
Range	C
GTIN (EAN)	4012799930099

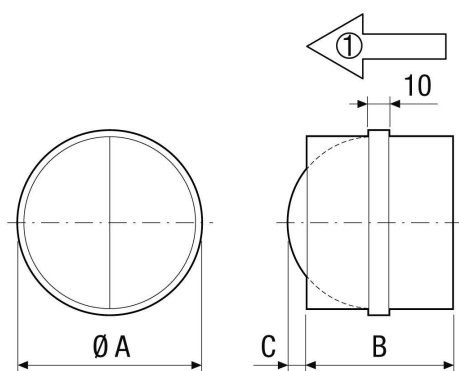
AVM 31

Characteristic curve Pressure losses



- ① AVM 10
- ② AVM 12
- ③ AVM 15
- ④ AVM 16
- ⑤ AVM 20, AVM 25, AVM 31, AVM 35, AVM 40

Dimensioned drawing [mm]



	A	B	C
	315	128	94
① Air flow direction			