

# AZV 100



## Short description

Adjustable supply and exhaust air valve with ISO Coarse 30 % (G2) filter, DN 100

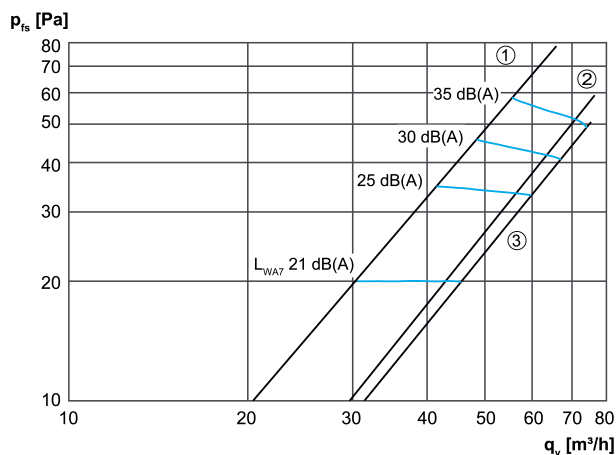
Article number 0152.0087

## Technical data

Air direction	Ventilation and air extraction
Installation	Inside
Installation site	Wall
Type of installation	Surface-mounted
Material	Synthetic material
Colour	Traffic white, similar to RAL 9016
Weight	0,29 kg
Weight including packaging	0,38 kg
Filter class	ISO Coarse 30 % (G2)
Suitable for nominal size	100 mm
Width	160 mm
Height	160 mm
Depth	85 mm
Width with packaging	170 mm
Height with packaging	170 mm
Depth with packaging	110 mm
Ambient temperature	60 °C
Packing unit	1 piece
Range	K
GTIN (EAN)	4012799520870

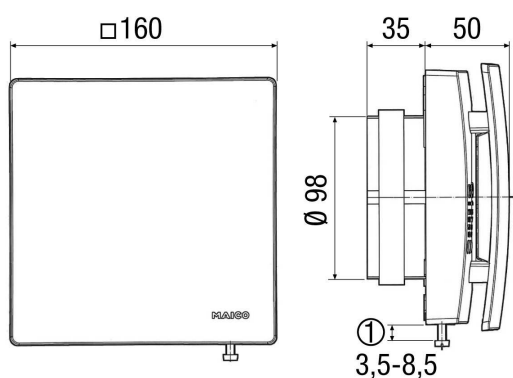
# AZV 100

## Characteristic curve Pressure losses



- ① Opening angle 30°
- ② Opening angle 60°
- ③ Max. opening angle 85°

## Dimensioned drawing [mm]



- ① Screw for adjusting the lamella