

B45-125

Short description

45° elbow, drawn incl. lip seal, DN 125, for connecting folded spiral-seam ducts to the WS 120 Trio, WS 160 Flat or WS 170 central ventilation units

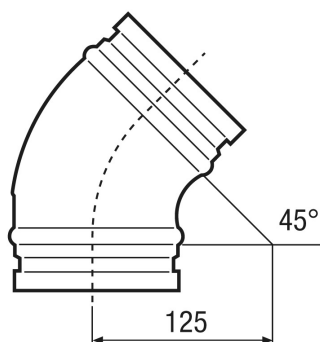


Article number 0055.0326

Technical data

Type of installation	Recessed-mounted
Material	Sheet steel
Weight	0,5 kg
Weight including packaging	0,5 kg
Nominal size	125 mm
Width	235 mm
Height	175 mm
Depth	130 mm
Width with packaging	235 mm
Height with packaging	175 mm
Depth with packaging	130 mm
Ambient temperature	60 °C
Packing unit	1 piece
Range	K
GTIN (EAN)	4012799553267

Dimensioned drawing [mm]



B45-125

