

B45-160



Short description

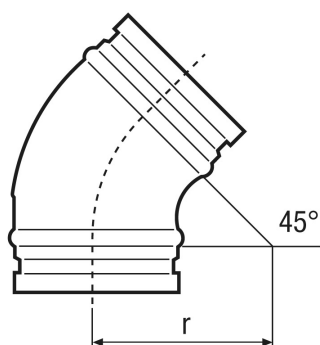
45° elbow, drawn for folded spiral-seams ducts, incl. lip seal, DN 160

Article number 0055.0328

Technical data

Type of installation	Recessed-mounted
Material	Sheet steel
Nominal size	160 mm
Ambient temperature	60 °C
Packing unit	1 piece
Range	K
GTIN (EAN)	4012799553281

Dimensioned drawing [mm]



DN

 160

DN = R