

B45-80



Short description

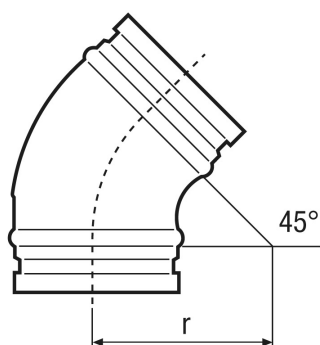
45° elbow, drawn for folded spiral-seams ducts, incl. lip seal, DN 80

Article number 0055.0324

Technical data

| | |
|----------------------|------------------|
| Type of installation | Recessed-mounted |
| Material | Sheet steel |
| Nominal size | 80 mm |
| Ambient temperature | 60 °C |
| Packing unit | 1 piece |
| Range | K |
| GTIN (EAN) | 4012799553243 |

Dimensioned drawing [mm]



| | |
|--------|----|
| DN | 80 |
| DN = R | |