

# B90-200



## Short description

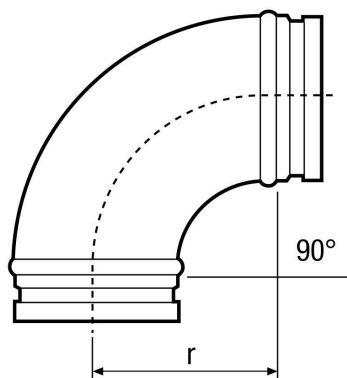
90° elbow, drawn for folded spiral-seams ducts, incl. lip seal, DN 200

Article number 0055.0316

## Technical data

Type of installation	Recessed-mounted
Material	Sheet steel
Nominal size	200 mm
Ambient temperature	60 °C
Packing unit	1 piece
Range	K
GTIN (EAN)	4012799553168

## Dimensioned drawing [mm]



DN  
200

---

r = 125