

# B90-80



## Short description

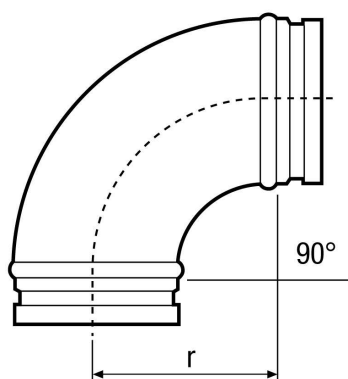
90° elbow, drawn for folded spiral-seams ducts, incl. lip seal, DN 80

Article number 0055.0310

## Technical data

|                      |                  |
|----------------------|------------------|
| Type of installation | Recessed-mounted |
| Material             | Sheet steel      |
| Nominal size         | 80 mm            |
| Ambient temperature  | 60 °C            |
| Packing unit         | 1 piece          |
| Range                | K                |
| GTIN (EAN)           | 4012799553106    |

## Dimensioned drawing [mm]



DN  
80

---

r = 125