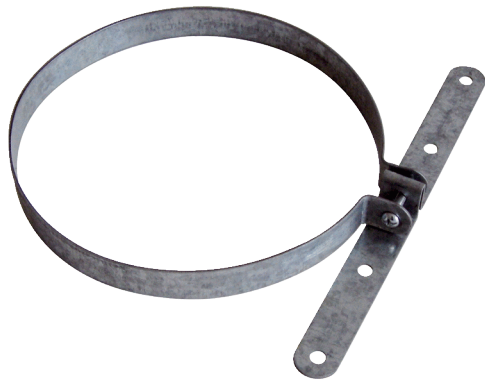


BS 125



Short description

Mounting clamp for ventilation and air extraction, sheet steel, galvanised, for DF 125

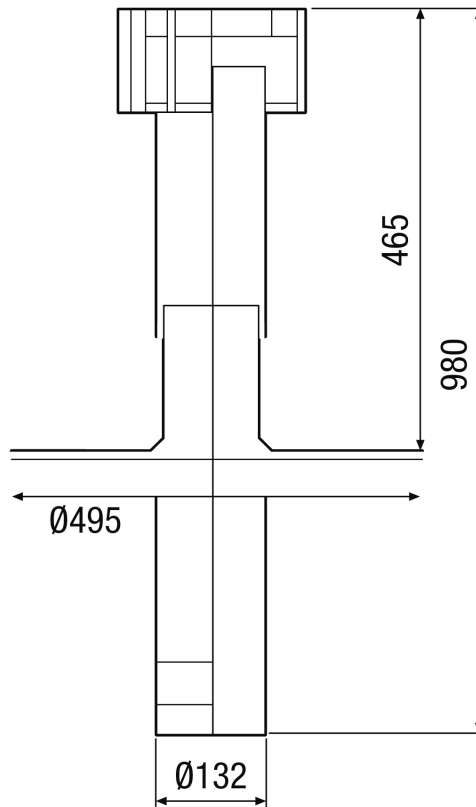
Article number 0092.0359

Technical data

Air direction	Ventilation and air extraction
Material	Sheet steel
Colour	galvanised
Weight	0,15 kg
Weight including packaging	0,16 kg
Nominal size	125 mm
Width	165 mm
Height	205 mm
Depth	205 mm
Width with packaging	165 mm
Height with packaging	20 mm
Depth with packaging	205 mm
Packing unit	1 piece
Range	B
GTIN (EAN)	4012799923596

BS 125

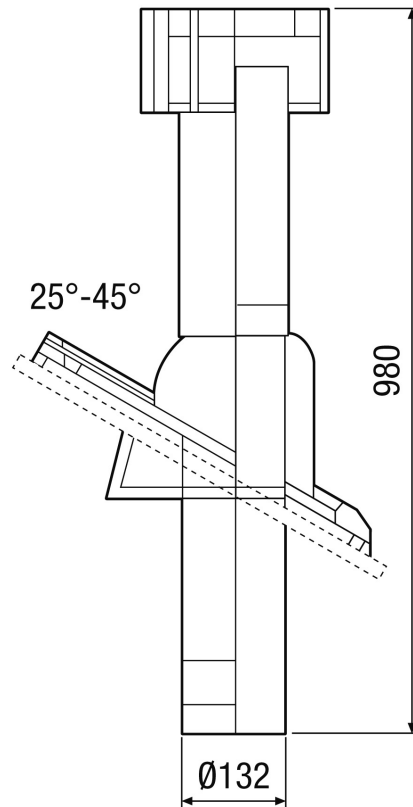
Dimensioned drawing [mm]



DF 125 with DP 125 A
For flat roofs

BS 125

Dimensioned drawing [mm]



DF 125 with DP 125 TF/SF/TB/SB
For pitched roofs