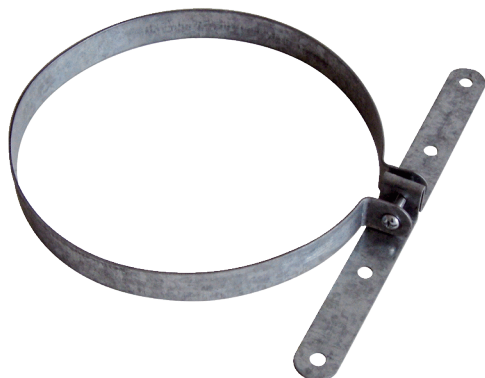


BS 160



Short description

Mounting clamp for ventilation and air extraction, sheet steel, galvanised, for DF 160

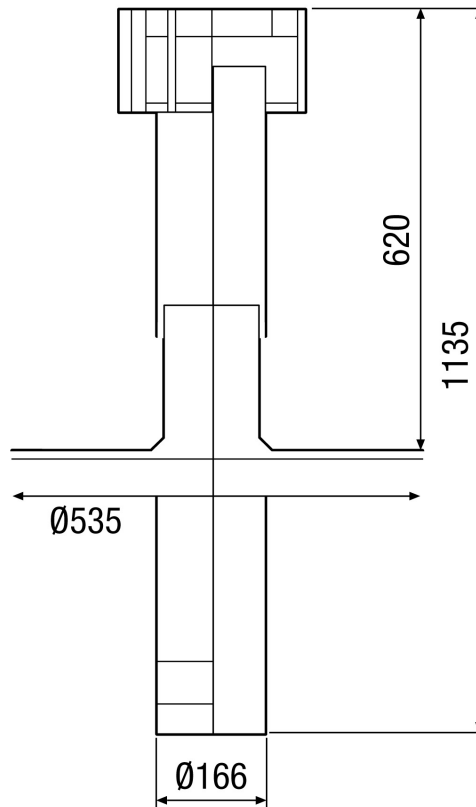
Article number 0092.0360

Technical data

Air direction	Ventilation and air extraction
Material	Sheet steel
Colour	galvanised
Weight	0,16 kg
Weight including packaging	0,17 kg
Nominal size	160 mm
Width	200 mm
Height	200 mm
Depth	200 mm
Width with packaging	200 mm
Height with packaging	20 mm
Depth with packaging	200 mm
Packing unit	1 piece
Range	B
GTIN (EAN)	4012799923602

BS 160

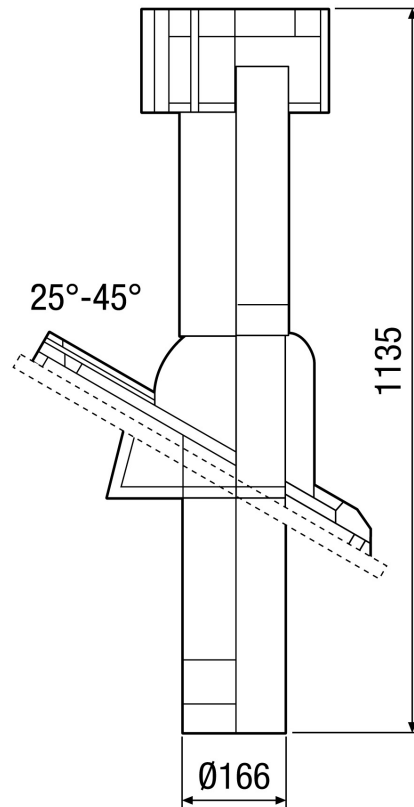
Dimensioned drawing [mm]



DF 160 S with DP 160 A
For flat roofs

BS 160

Dimensioned drawing [mm]



DF 160 S with DP 160 SB
For pitched roofs