

# Centro-E



## Short description

Electrically operated exhaust air element for Centro-ER system for centralised ventilation

## Application examples

Bathroom, Kitchen, Multiple family unit, Day room, Dining room

Article number 0084.0183

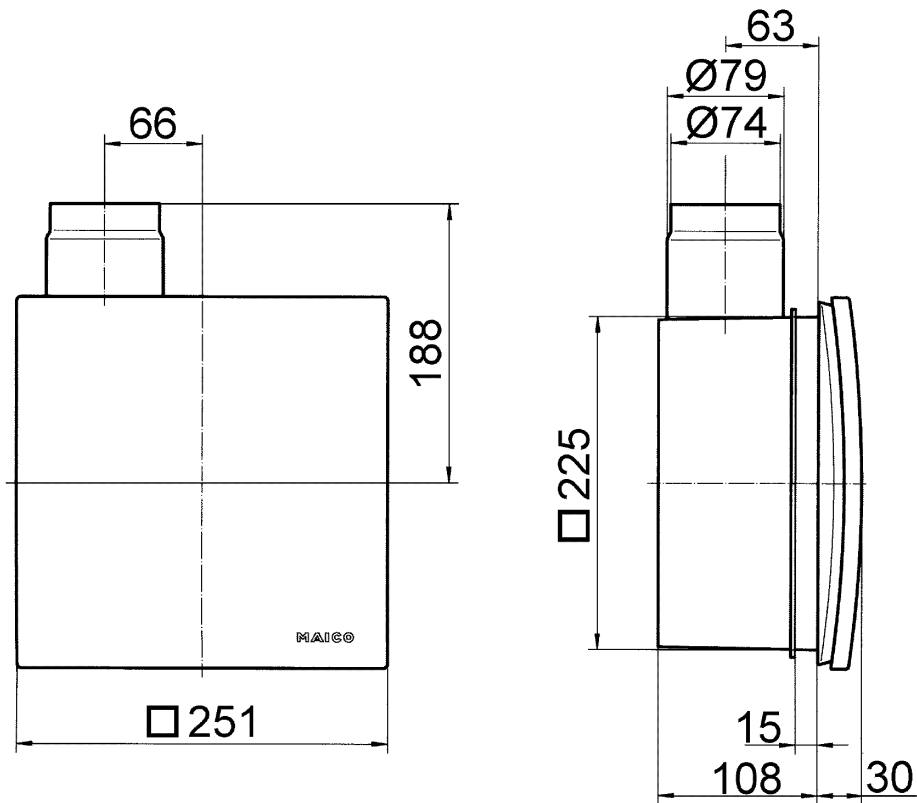
## Technical data

Model	electrical
Air flow volume	20 m <sup>3</sup> /h / 60 m <sup>3</sup> /h
Minimum air flow volume	30 m <sup>3</sup> /h
Air direction	Air extraction
Type of voltage	Alternating current
Rated voltage	230 V
Frequency	50 Hz/60 Hz
Power consumption	3 W
I <sub>max</sub>	0,9 A
Degree of protection	IP X5
Mains cable	3 x 1,5 mm <sup>2</sup>
Installation site	Wall / Ceiling
Type of installation	Recessed-mounted
System type	Centralised
Material	Synthetic material
Colour	Traffic white, similar to RAL 9016
Weight	0,85 kg
Weight including packaging	1,14 kg
Filter class	ISO Coarse 30 % (G2)
Width	251 mm
Height	251 mm
Depth	138 mm
Width with packaging	280 mm
Height with packaging	280 mm
Depth with packaging	155 mm
Airstream temperature at I <sub>Max</sub>	40 °C
Sound pressure level	26 dB(A) / 33 dB(A) (Specifications in accordance with DIN 18017-3 at an equivalent absorption area A <sub>L</sub> = 10 m. <sup>2</sup> )
Packing unit	1 piece

# Centro-E

Range	B
GTIN (EAN)	4012799841838

## Dimensioned drawing [mm]



Centro-M / Centro-E / Centro-H exhaust air element with ER-UP/G or ER-UPD recessed-mounted housing