

Centro-H



Short description

Electrically operated, humidity-controlled, exhaust air element for Centro-ER system for centralised ventilation

Application examples

Bathroom, Kitchen, Multiple family unit, Day room, Dining room

Article number 0084.0187

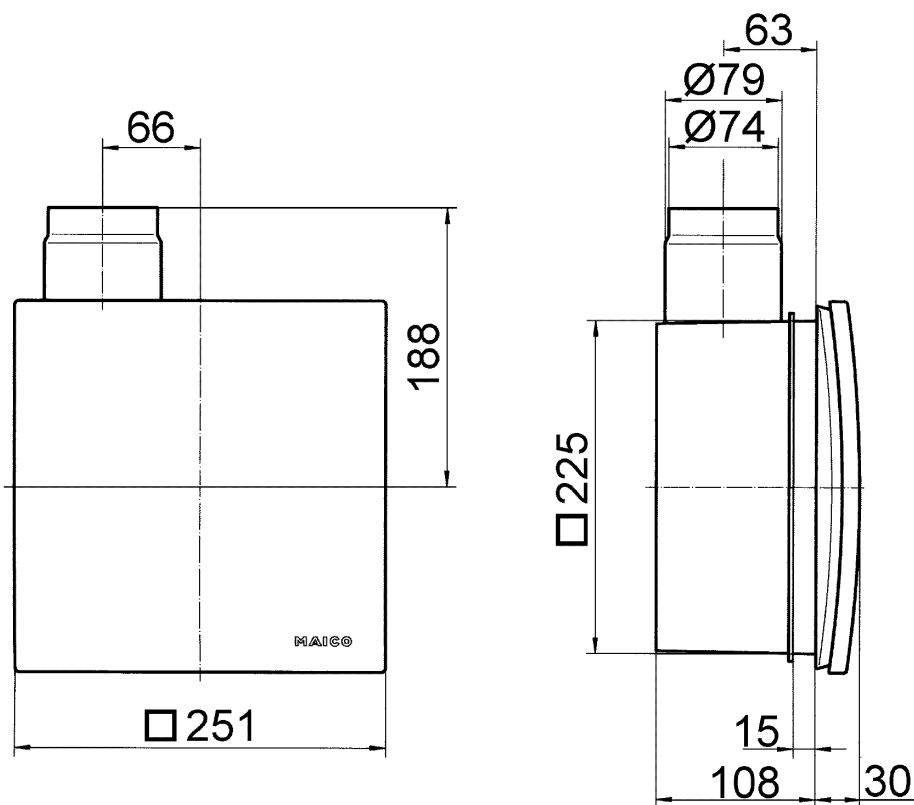
Technical data

| | |
|---|--|
| Model | electrical |
| Air flow volume | 20 m ³ /h / 60 m ³ /h |
| Minimum air flow volume | 30 m ³ /h |
| Air direction | Air extraction |
| Type of voltage | Alternating current |
| Rated voltage | 230 V |
| Frequency | 50 Hz/60 Hz |
| Power consumption | 3,5 W |
| I _{max} | 0,9 A |
| Degree of protection | IP X5 |
| Mains cable | 3 x 1,5 mm ² |
| Installation site | Wall / Ceiling |
| Type of installation | Recessed-mounted |
| System type | Centralised |
| Material | Synthetic material |
| Colour | Traffic white, similar to RAL 9016 |
| Weight | 0,86 kg |
| Weight including packaging | 1,13 kg |
| Filter class | ISO Coarse 30 % (G2) |
| Width | 251 mm |
| Height | 251 mm |
| Depth | 138 mm |
| Width with packaging | 285 mm |
| Height with packaging | 285 mm |
| Depth with packaging | 155 mm |
| Airstream temperature at I _{Max} | 40 °C |
| Overrun time | 6 min (Overrun time available when using an optional switch (e.g. light switch)) |

Centro-H

| | |
|----------------------|--|
| Sound pressure level | 26 dB(A) / 33 dB(A) (Specifications in accordance with DIN 18017-3 at an equivalent absorption area $A_L = 10 \text{ m}^2$) |
| Packing unit | 1 piece |
| Range | B |
| GTIN (EAN) | 4012799841876 |

Dimensioned drawing [mm]



Centro-M / Centro-E / Centro-H exhaust air element with ER-UP/G or ER-UPD recessed-mounted housing