

DRD 18/2 B



Short description

Centrifugal roof fan, vertical air outlet, DN 180, three-phase AC

Application examples

Production facility, Workplace, Commercial premises, Industrial building, Restaurant

Article number 0087.0099

Technical data

Air flow volume	1.600 m ³ /h
Rotating speed	2.850 1/min
Speed controllable	–
Reversing capacity	–
Rated voltage	400 V
Nominal output	380 W
I _{nom}	0,72 A
I _{max}	0,85 A
Degree of protection	IP 55
Installation site	Roof
Installation position	vertical
Material	Sheet steel, galvanised
Weight	21,9
Weight including packaging	24,2 kg
Shutter	integrated
Type of shutter	Airstream-operated opening/closing
Nominal size	180 mm
Width with packaging	535 mm
Height with packaging	435 mm
Depth with packaging	535 mm
Airstream temperature at nominal current	-20 °C up to 60 °C
Packing unit	1 piece
Range	C
GTIN (EAN)	4012799870999

DRD 18/2 B

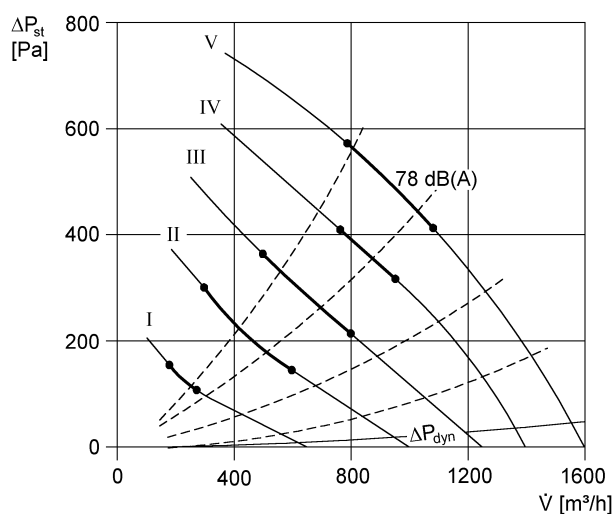
Sound power level in octave range

	63 Hz	125 Hz	250 Hz	500 Hz	1 kHz	2 kHz	4 kHz	8 kHz	Total
L_{WA5, S1} (dB(A))	29	45	50	51	53	60	58	38	63
L_{WA5, S2} (dB(A))	36	48	61	62	63	61	67	50	70
L_{WA5, S3} (dB(A))	43	51	67	66	68	66	69	62	74
L_{WA5, S4} (dB(A))	46	54	70	71	73	71	68	70	78
L_{WA5, S5} (dB(A))	47	55	70	78	76	73	70	73	82
L_{WA8, S1} (dB(A))	30	46	49	55	57	60	55	38	63
L_{WA8, S2} (dB(A))	37	51	59	64	66	67	65	50	72
L_{WA8, S3} (dB(A))	49	56	65	70	72	72	69	63	77
L_{WA8, S4} (dB(A))	47	60	70	75	77	76	70	70	82
L_{WA8, S5} (dB(A))	50	60	71	78	79	79	72	72	84

L_{WA5}= free inlet sound power level in dB.

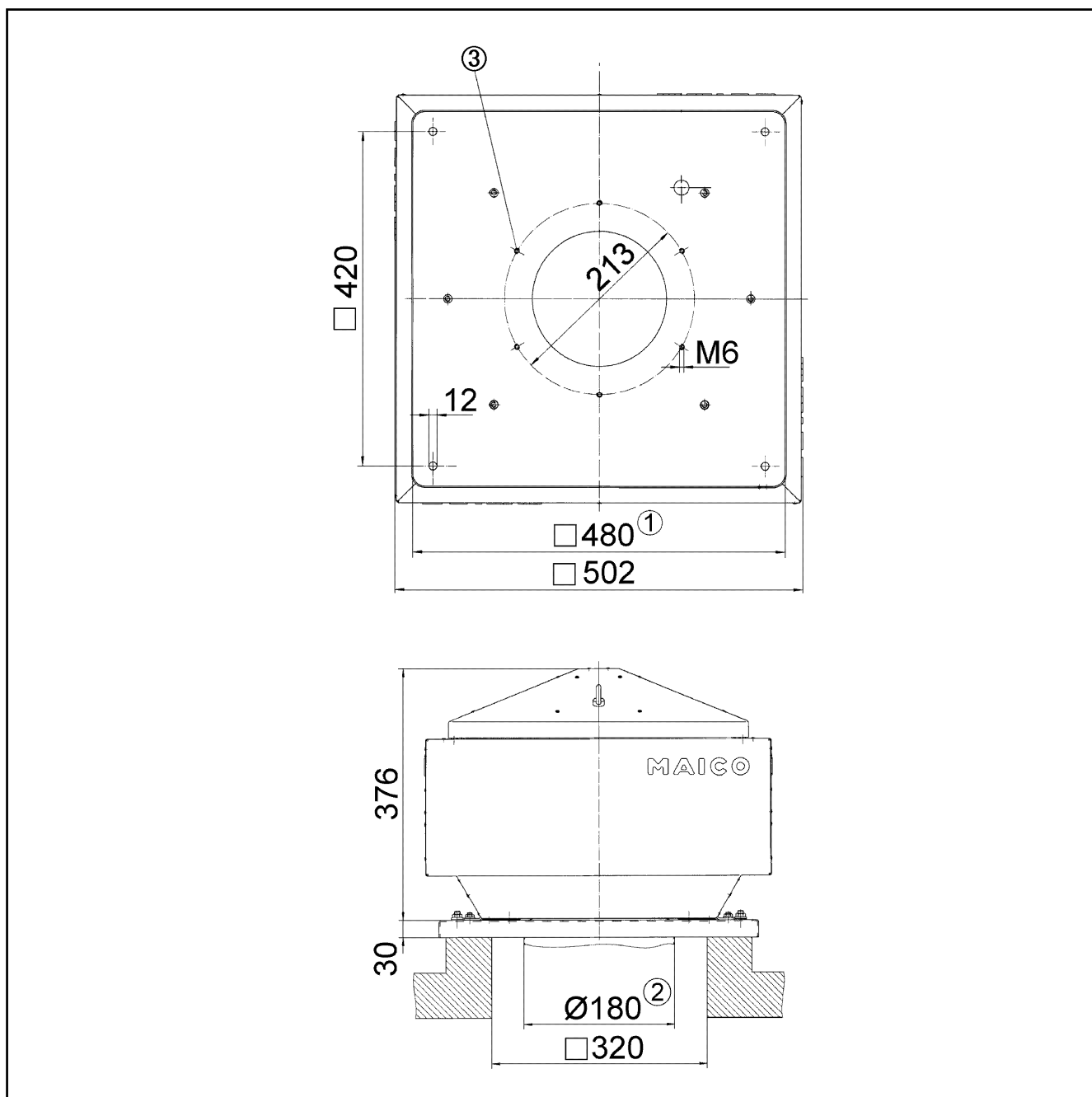
L_{WA8}= housing and free outlet sound power level in dB.

Characteristic curve



DRD 18/2 B

Dimensioned drawing [mm]



- ① Clear width
- ② External duct diameter
- ③ Number of holes: 3