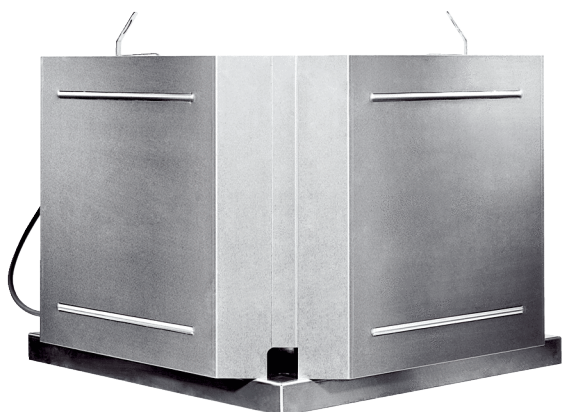


DRD 18 EC



Short description

Centrifugal roof fan with EC motor, DN 180

Application examples

Production facility, Workplace, Commercial premises, Industrial building, Restaurant

Article number 0087.0170

Technical data

Air flow volume	950 m³/h
Rotating speed	1.990 1/min
Impeller type	radial
Speed controllable	✓
Reversing capacity	–
Type of voltage	Alternating current
Rated voltage	230 V
Frequency	50 Hz
Nominal output	85 W
I _{max}	0,69 A
Degree of protection	IP 54
Installation site	Roof
Installation position	vertical
Material	Aluminium
Weight	7,1 kg
Weight including packaging	9,94 kg
Nominal size	180 mm
Width	480 mm
Height	270 mm
Depth	480 mm
Width with packaging	615 mm
Height with packaging	370 mm
Depth with packaging	615 mm
Airstream temperature at I _{Max}	-25 °C up to 60 °C
Packing unit	1 piece
Range	E
GTIN (EAN)	4012799871705

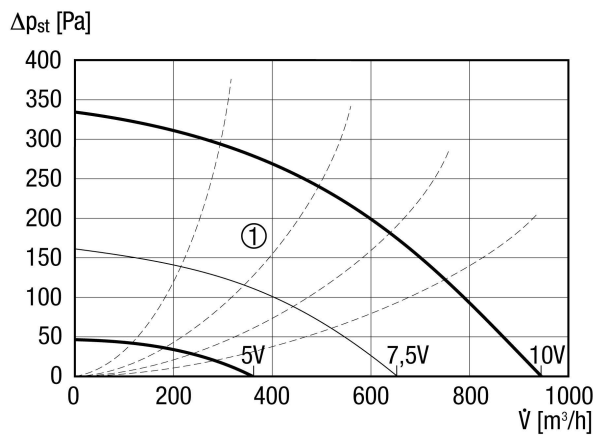
DRD 18 EC

Sound power level in octave range

	63 Hz	125 Hz	250 Hz	500 Hz	1 kHz	2 kHz	4 kHz	8 kHz	Total
$L_{WA5, high}$ (dB(A))	-	-	-	-	-	-	-	-	64
$L_{WA6, high}$ (dB(A))	-	-	-	-	-	-	-	-	72

L_{WA5} = free inlet sound power level in dB.
 L_{WA6} = free outlet sound power level in dB.

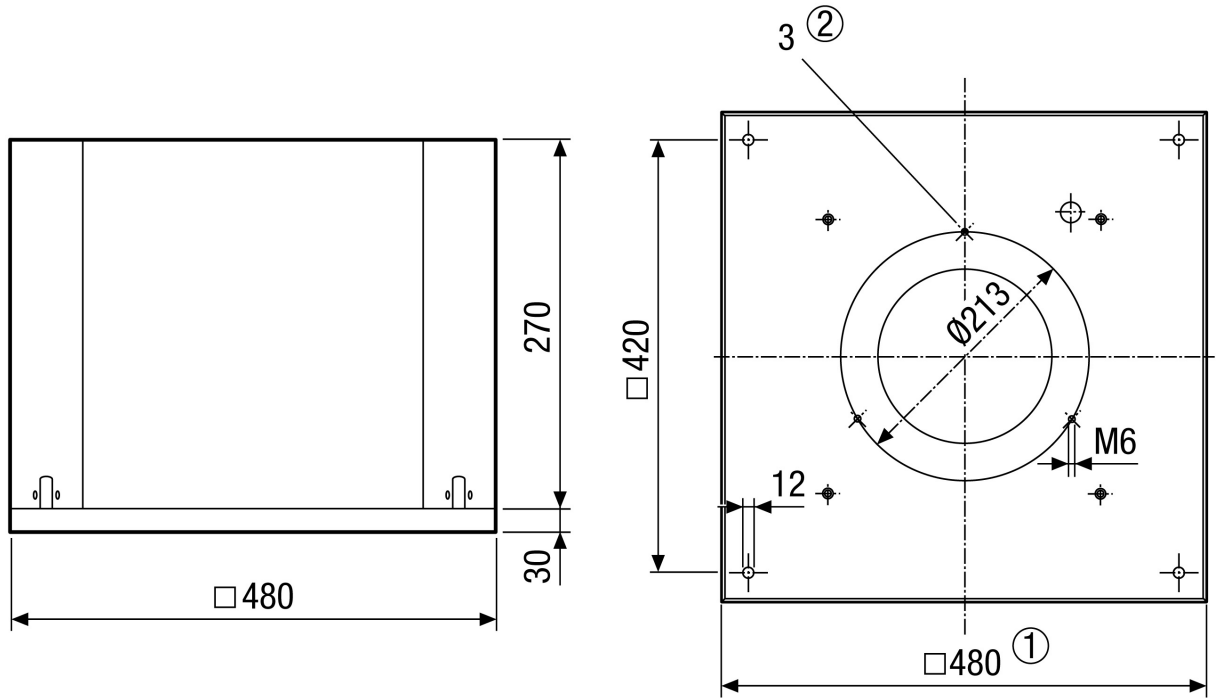
Characteristic curve



① Auxiliary characteristics curves for control voltage 5 - 10 V

DRD 18 EC

Dimensioned drawing [mm]



- ① Clear width
- ② Number of holes: 3