

DRD 22/4 B



Short description

Centrifugal roof fan, vertical air outlet, DN 224, three-phase AC

Application examples

Production facility, Workplace, Commercial premises, Industrial building, Restaurant

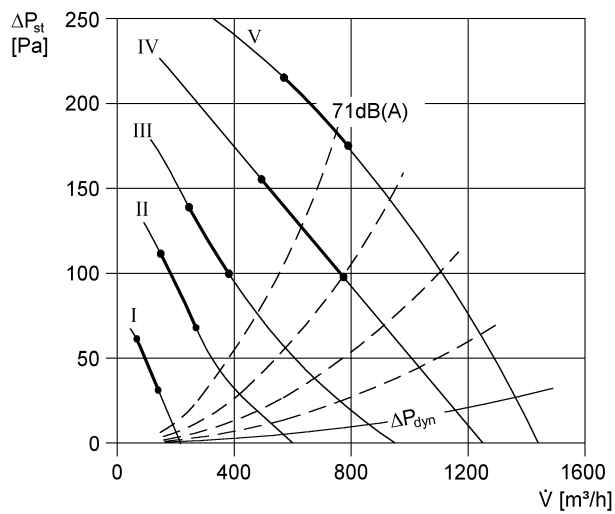
Article number 0087.0101

Technical data

Air flow volume	1.500 m³/h
Speed controllable	✓
Reversing capacity	–
Rated voltage	400 V
Degree of protection	IP 55
Installation site	Roof
Installation position	vertical
Material	Sheet steel, galvanised
Weight	24,2
Weight including packaging	26,81 kg
Shutter	integrated
Type of shutter	Airstream-operated opening/closing
Nominal size	224 mm
Width with packaging	585 mm
Height with packaging	465 mm
Depth with packaging	585 mm
Packing unit	1 piece
Range	C
GTIN (EAN)	4012799871019

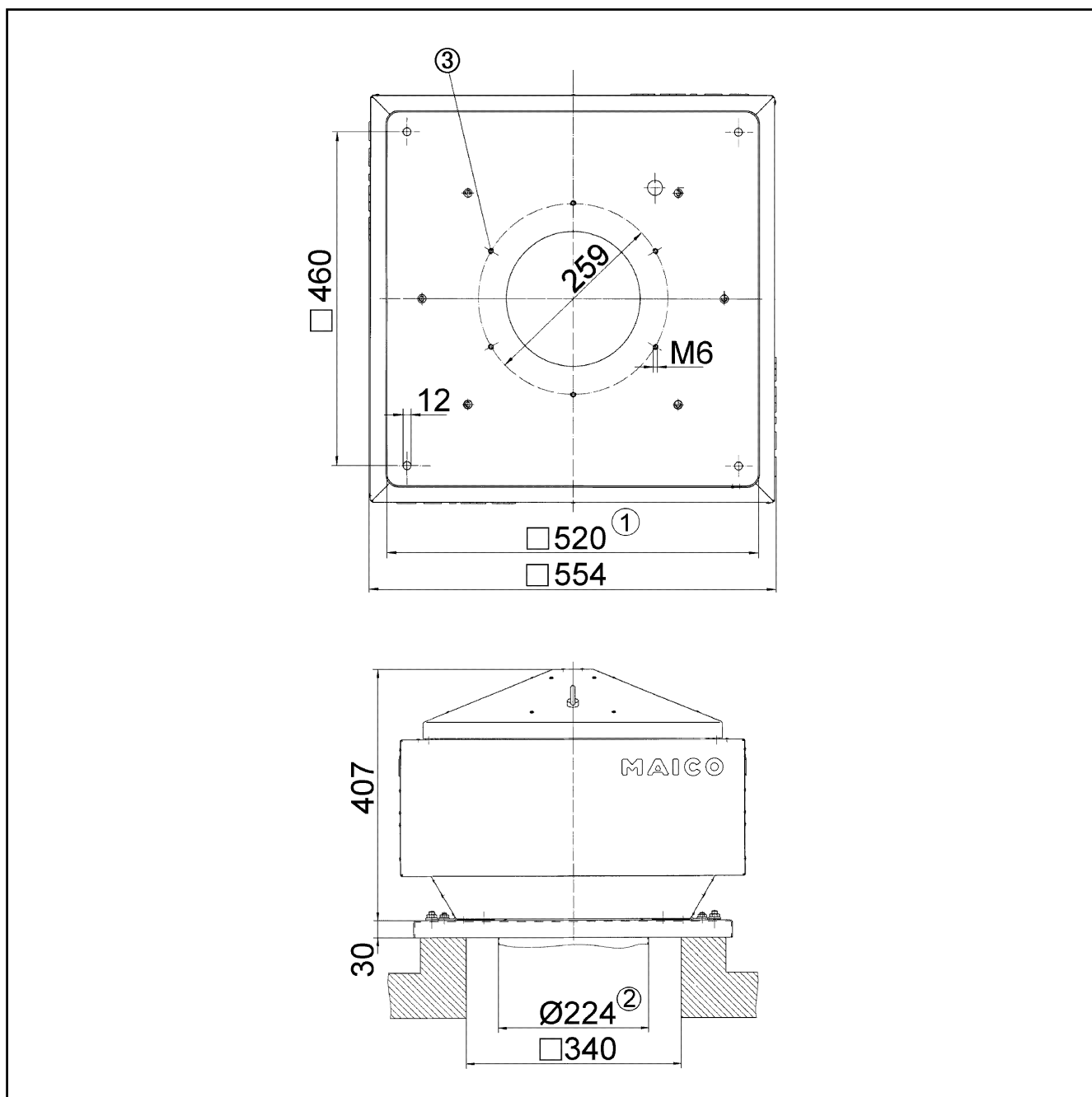
DRD 22/4 B

Characteristic curve



DRD 22/4 B

Dimensioned drawing [mm]



- ① Clear width
- ② External duct diameter
- ③ Number of holes: 3