

DRD 25/4 B



Short description

Centrifugal roof fan, vertical air outlet, DN 250, three-phase AC

Application examples

Production facility, Workplace, Commercial premises, Industrial building, Restaurant

Article number 0087.0102

Technical data

Air flow volume	2.200 m³/h
Rotating speed	1.420 1/min
Speed controllable	✓
Reversing capacity	–
Type of voltage	Three-phase AC
Rated voltage	400 V
Nominal output	270 W
I _{nom}	0,6 A
I _{max}	0,6 A
Degree of protection	IP 55
Insulation class	B
Mains cable	5 x 1,5 mm²
Installation site	Roof
Installation position	vertical
Material	Sheet steel, galvanised
Weight	28,2
Weight including packaging	31,04 kg
Shutter	integrated
Type of shutter	Airstream-operated opening/closing
Nominal size	250 mm
Width with packaging	645 mm
Height with packaging	505 mm
Depth with packaging	645 mm
Airstream temperature at nominal current	60 °C
Airstream temperature at I _{Max}	60 °C
Packing unit	1 piece
Range	C
GTIN (EAN)	4012799871026

DRD 25/4 B

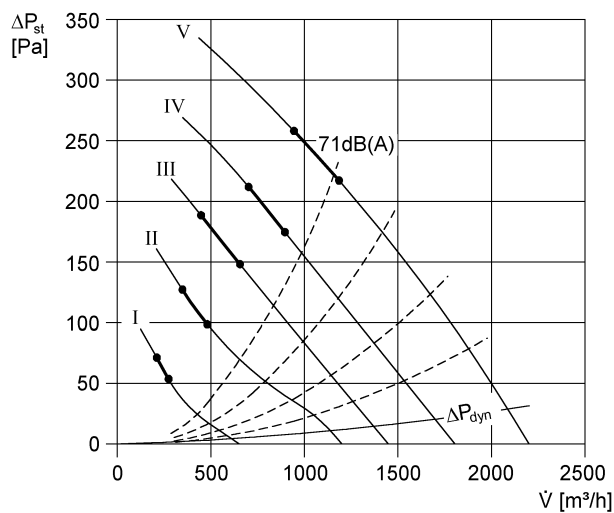
Sound power level in octave range

	63 Hz	125 Hz	250 Hz	500 Hz	1 kHz	2 kHz	4 kHz	8 kHz	Total
L_{WA5, S1} (dB(A))	38	36	39	42	47	60	32	22	61
L_{WA5, S2} (dB(A))	39	54	51	51	54	64	50	32	65
L_{WA5, S3} (dB(A))	39	58	57	56	57	60	65	39	68
L_{WA5, S4} (dB(A))	39	62	62	61	60	60	68	46	71
L_{WA5, S5} (dB(A))	42	61	73	69	65	64	71	51	77
L_{WA8, S1} (dB(A))	40	39	42	46	50	60	33	27	61
L_{WA8, S2} (dB(A))	40	55	52	54	59	63	49	33	66
L_{WA8, S3} (dB(A))	41	60	57	59	63	61	64	49	69
L_{WA8, S4} (dB(A))	41	62	63	64	66	64	68	54	73
L_{WA8, S5} (dB(A))	43	62	70	69	70	68	70	59	77

L_{WA5}= free inlet sound power level in dB.

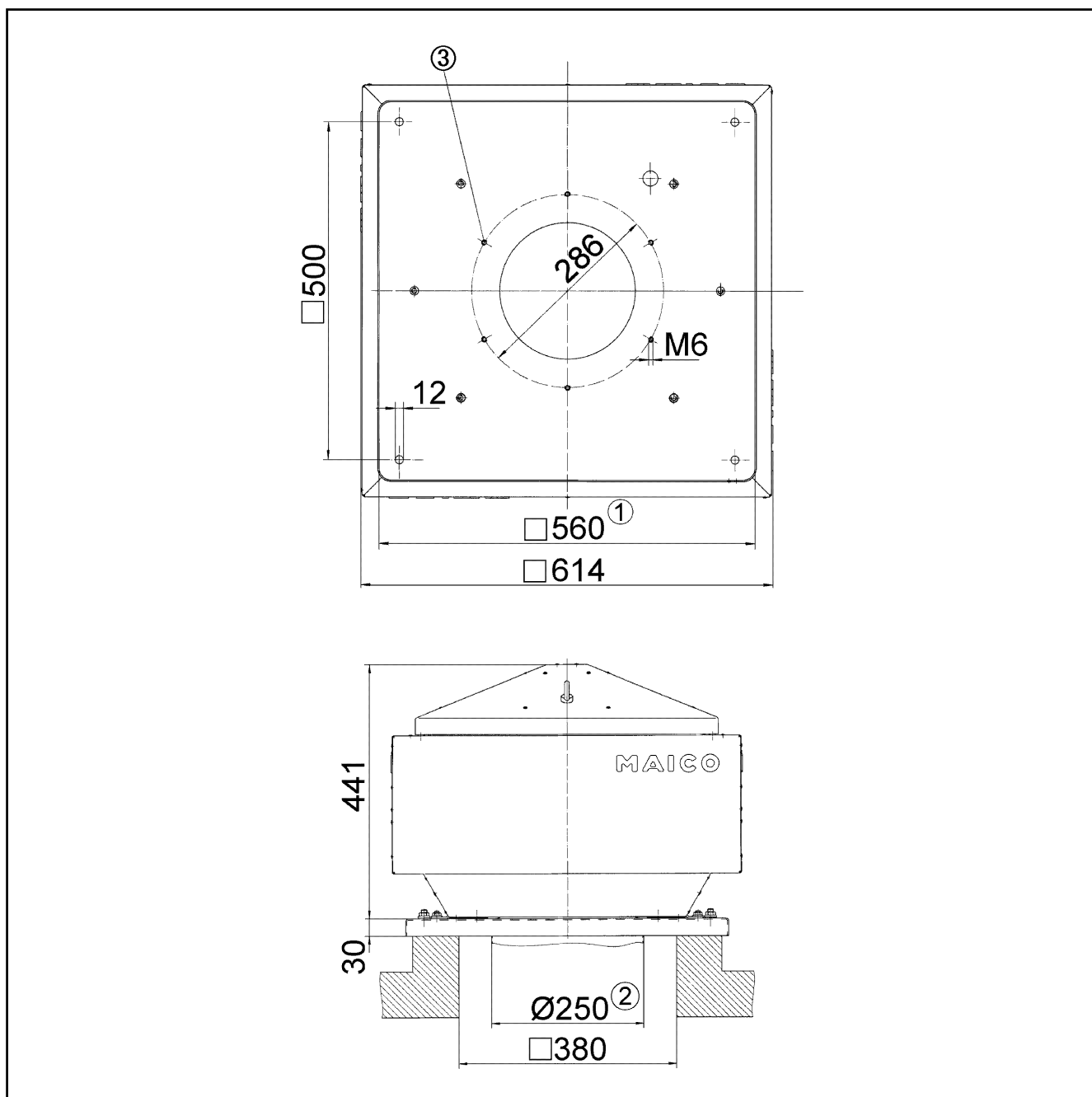
L_{WA8}= housing and free outlet sound power level in dB.

Characteristic curve



DRD 25/4 B

Dimensioned drawing [mm]



- ① Clear width
- ② External duct diameter
- ③ Number of holes: 6