

DRD 25/64 B



Short description

Centrifugal roof fan, vertical air outlet, DN 250, three-phase AC, pole-changeable

Application examples

Production facility, Workplace, Commercial premises, Industrial building, Restaurant

Article number 0087.0150

Technical data

Air flow volume	1.600 m ³ /h / 2.200 m ³ /h
Rotating speed	1.000 1/min / 1.350 1/min
Speed controllable	✓
Reversing capacity	–
Type of voltage	Three-phase AC
Rated voltage	400 V
Nominal output	160 W / 250 W
I _{nom}	0,26 A / 0,48 A
I _{max}	0,26 A / 0,48 A
Degree of protection	IP 55
Insulation class	B
Number of poles at high speed	4
Number of poles at low speed	6
Mains cable	5 x 1,5 mm ²
Installation site	Roof
Installation position	vertical
Material	Sheet steel, galvanised
Weight	28,6
Weight including packaging	32,22 kg
Shutter	integrated
Type of shutter	Airstream-operated opening/closing
Nominal size	250 mm
Width with packaging	645 mm
Height with packaging	500 mm
Depth with packaging	645 mm
Airstream temperature at nominal current	60 °C
Airstream temperature at I _{Max}	60 °C
Packing unit	1 piece
Range	C

DRD 25/64 B

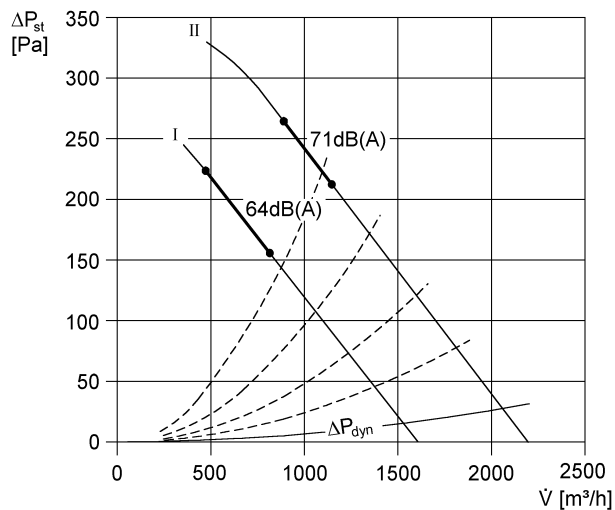
GTIN (EAN)	4012799871507
------------	---------------

Sound power level in octave range

	63 Hz	125 Hz	250 Hz	500 Hz	1 kHz	2 kHz	4 kHz	8 kHz	Total
L_{WA5, low} (dB(A))	–	58	60	57	54	54	57	–	68
L_{WA5, high} (dB(A))	–	51	50	49	48	45	53	–	75

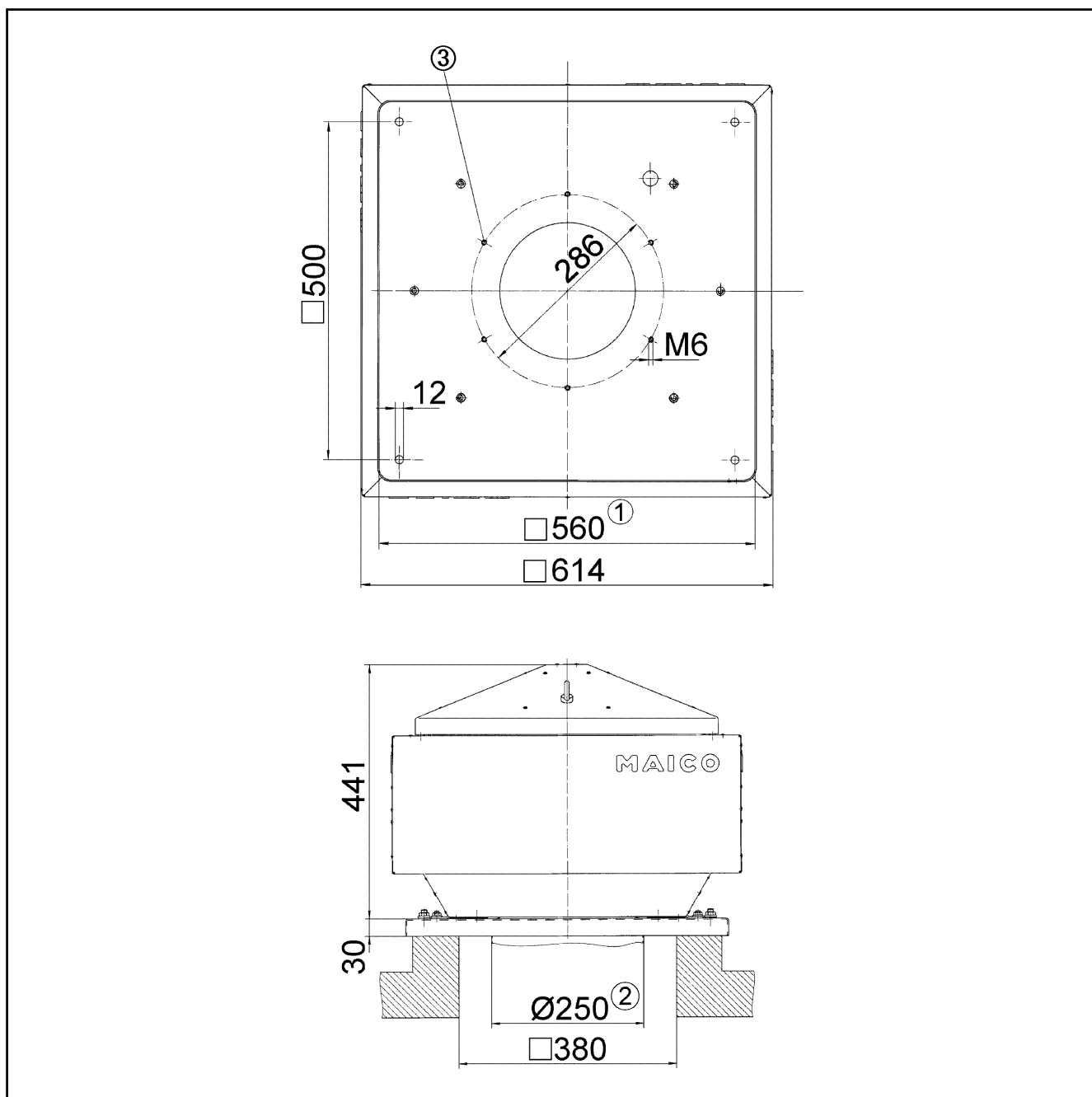
L_{WA5}= free inlet sound power level in dB.

Characteristic curve



DRD 25/64 B

Dimensioned drawing [mm]



- ① Clear width
- ② External duct diameter
- ③ Number of holes: 6