

DRD 25/6 B



Short description

Centrifugal roof fan, vertical air outlet, DN 250, three-phase AC

Application examples

Production facility, Workplace, Commercial premises, Industrial building, Restaurant

Article number 0087.0103

Technical data

Air flow volume	1.400 m ³ /h
Rotating speed	930 1/min
Speed controllable	✓
Reversing capacity	–
Type of voltage	Three-phase AC
Rated voltage	400 V
Nominal output	125 W
I _{nom}	0,3 A
I _{max}	0,6 A
Degree of protection	IP 55
Insulation class	B
Mains cable	5 x 1,5 mm ²
Installation site	Roof
Installation position	vertical
Material	Sheet steel, galvanised
Weight	28,1
Weight including packaging	30,92 kg
Shutter	integrated
Type of shutter	Airstream-operated opening/closing
Nominal size	250 mm
Width with packaging	650 mm
Height with packaging	500 mm
Depth with packaging	650 mm
Airstream temperature at nominal current	60 °C
Airstream temperature at I _{Max}	60 °C
Packing unit	1 piece
Range	C
GTIN (EAN)	4012799871033

DRD 25/6 B

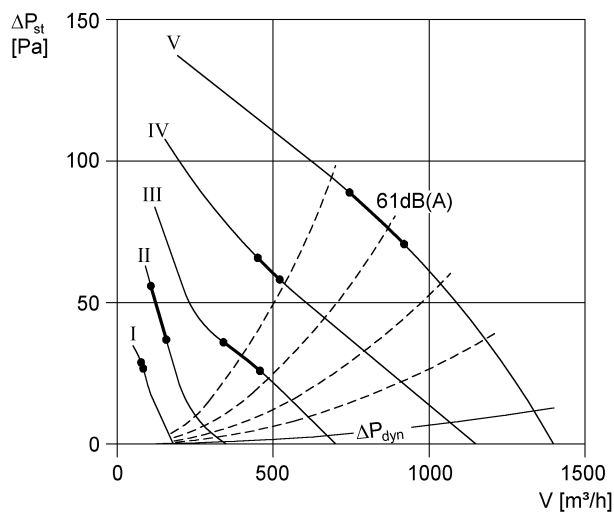
Sound power level in octave range

	63 Hz	125 Hz	250 Hz	500 Hz	1 kHz	2 kHz	4 kHz	8 kHz	Total
L_{WA5, S1} (dB(A))	36	29	23	34	44	19	11	8	45
L_{WA5, S2} (dB(A))	39	37	33	35	53	46	21	13	54
L_{WA5, S3} (dB(A))	38	51	39	41	44	59	30	20	59
L_{WA5, S4} (dB(A))	39	54	49	46	49	60	39	26	61
L_{WA5, S5} (dB(A))	36	33	54	52	55	56	62	34	65
L_{WA8, S1} (dB(A))	39	39	27	32	52	21	17	15	52
L_{WA8, S2} (dB(A))	39	54	36	40	54	45	23	20	55
L_{WA8, S3} (dB(A))	40	58	42	45	48	59	31	23	59
L_{WA8, S4} (dB(A))	–	–	49	50	54	60	39	27	62
L_{WA8, S5} (dB(A))	–	–	54	56	60	57	59	34	65

L_{WA5}= free inlet sound power level in dB.

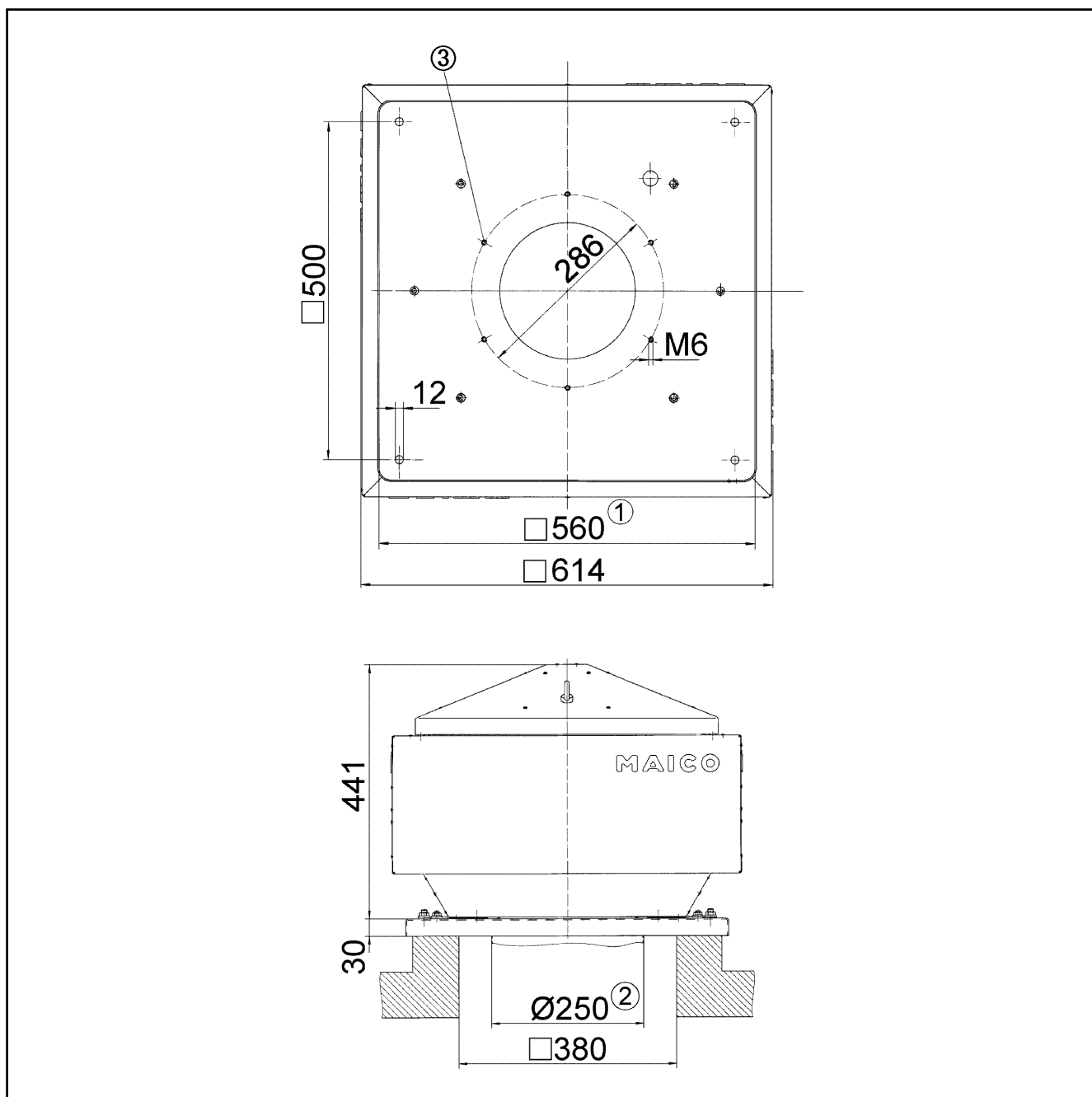
L_{WA8}= housing and free outlet sound power level in dB.

Characteristic curve



DRD 25/6 B

Dimensioned drawing [mm]



- ① Clear width
- ② External duct diameter
- ③ Number of holes: 6