

DRD 31/4 B



Short description

Centrifugal roof fan, vertical air outlet, DN 315, three-phase AC

Application examples

Production facility, Workplace, Commercial premises, Industrial building, Restaurant

Article number 0087.0104

Technical data

Air flow volume	3.400 m ³ /h
Rotating speed	1.425 1/min
Speed controllable	✓
Reversing capacity	–
Type of voltage	Three-phase AC
Rated voltage	400 V
Nominal output	530 W
I _{nom}	1,3 A
I _{max}	1,4 A
Degree of protection	IP 55
Insulation class	B
Pole-changeable	–
Mains cable	5 x 1,5 mm ²
Installation site	Roof
Installation position	vertical
Material	Sheet steel, galvanised
Weight	40,5
Weight including packaging	45,5 kg
Shutter	integrated
Type of shutter	Airstream-operated opening/closing
Nominal size	315 mm
Width with packaging	750 mm
Height with packaging	580 mm
Depth with packaging	750 mm
Airstream temperature at nominal current	-20 °C up to 60 °C
Airstream temperature at I _{Max}	60 °C
Packing unit	1 piece
Range	C
GTIN (EAN)	4012799871040

DRD 31/4 B

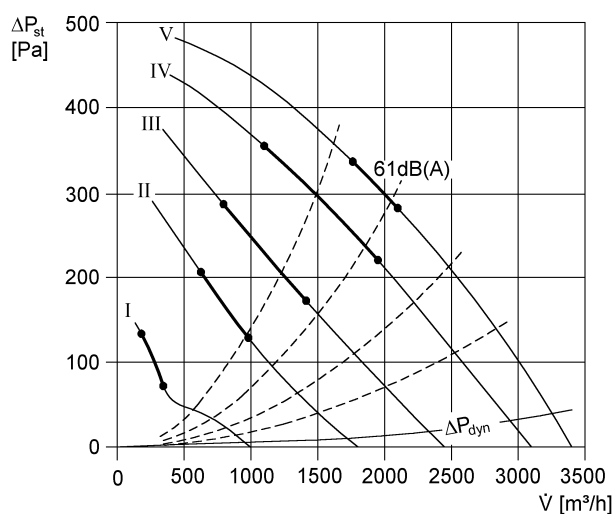
Sound power level in octave range

	63 Hz	125 Hz	250 Hz	500 Hz	1 kHz	2 kHz	4 kHz	8 kHz	Total
L_{WA5, S1} (dB(A))	39	37	43	49	46	56	34	21	58
L_{WA5, S2} (dB(A))	44	55	53	57	47	62	55	36	65
L_{WA5, S3} (dB(A))	46	63	61	63	48	58	68	46	71
L_{WA5, S4} (dB(A))	47	67	67	66	49	63	73	54	76
L_{WA5, S5} (dB(A))	49	65	76	70	50	66	75	63	80
L_{WA8, S1} (dB(A))	40	40	47	52	46	57	36	23	60
L_{WA8, S2} (dB(A))	45	54	56	59	53	60	55	36	66
L_{WA8, S3} (dB(A))	48	62	63	58	61	62	65	46	73
L_{WA8, S4} (dB(A))	50	66	69	72	66	69	72	63	79
L_{WA8, S5} (dB(A))	51	68	73	75	67	72	74	67	81

L_{WA5}= free inlet sound power level in dB.

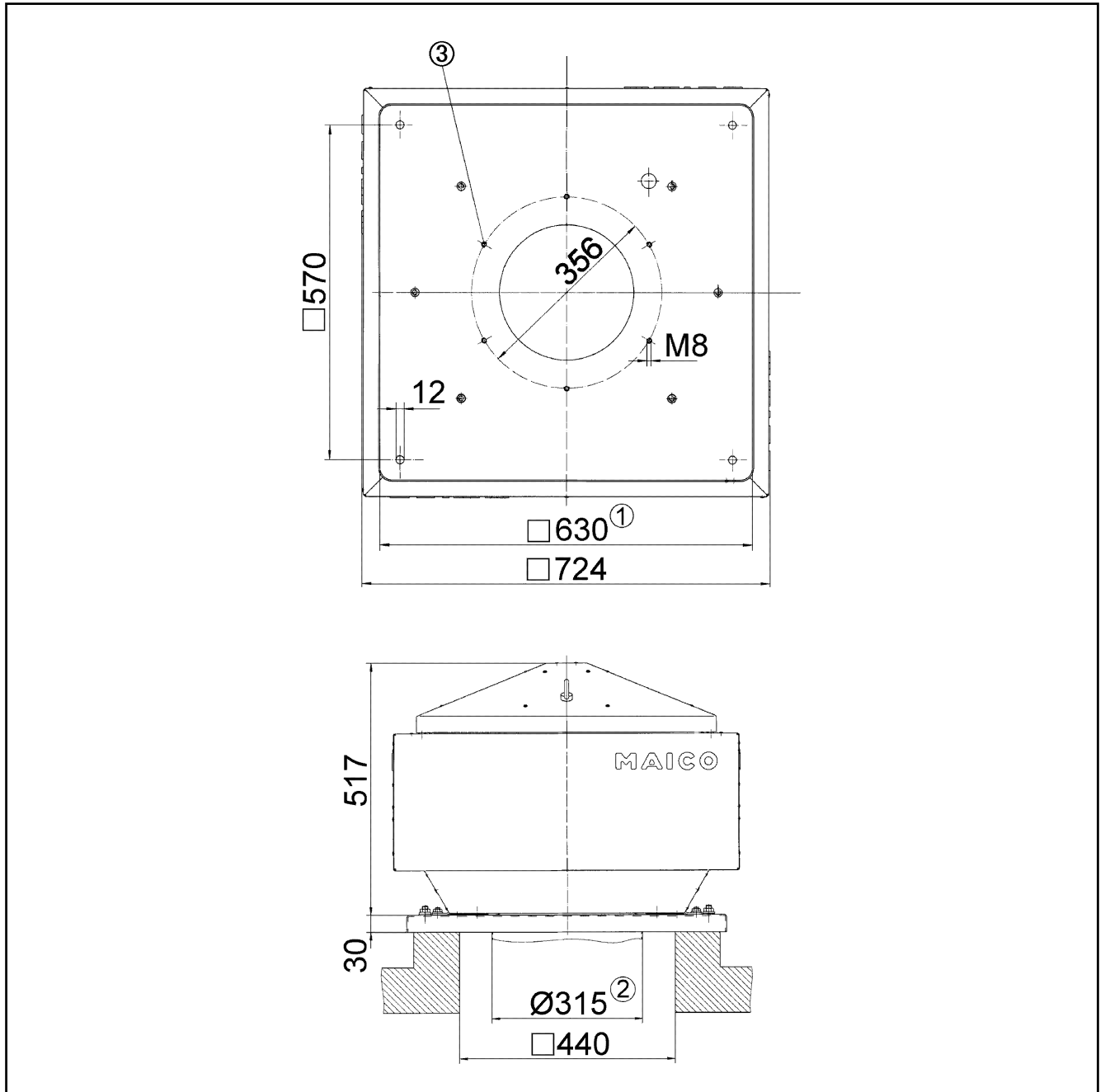
L_{WA8}= housing and free outlet sound power level in dB.

Characteristic curve



DRD 31/4 B

Dimensioned drawing [mm]



- ① Clear width
- ② External duct diameter
- ③ Number of holes: 8