

# DRD 35/4 B



## Short description

Centrifugal roof fan, vertical air outlet, DN 355, three-phase AC

## Application examples

Production facility, Workplace, Commercial premises, Industrial building, Restaurant

Article number 0087.0106

## Technical data

Air flow volume	5.200 m <sup>3</sup> /h
Rotating speed	1.425 1/min
Speed controllable	✓
Reversing capacity	–
Type of voltage	Three-phase AC
Rated voltage	400 V
Nominal output	1.130 W
I <sub>nom</sub>	2,4 A
I <sub>max</sub>	3,6 A
Degree of protection	IP 55
Insulation class	F
Pole-changeable	–
Mains cable	5 x 1,5 mm <sup>2</sup>
Installation site	Roof
Installation position	vertical
Material	Sheet steel, galvanised
Weight	53,5
Weight including packaging	60,5 kg
Shutter	integrated
Type of shutter	Airstream-operated opening/closing
Nominal size	355 mm
Width with packaging	840 mm
Height with packaging	625 mm
Depth with packaging	840 mm
Airstream temperature at nominal current	-20 °C up to 60 °C
Airstream temperature at I <sub>Max</sub>	60 °C
Packing unit	1 piece
Range	C
GTIN (EAN)	4012799871064

# DRD 35/4 B

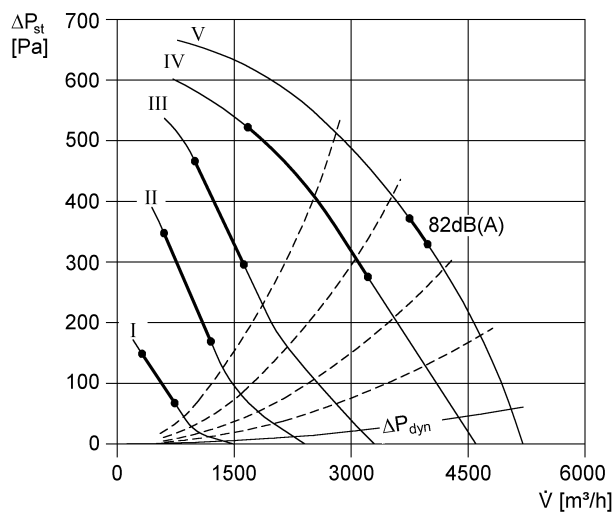
## Sound power level in octave range

	63 Hz	125 Hz	250 Hz	500 Hz	1 kHz	2 kHz	4 kHz	8 kHz	Total
<b>L<sub>WA5, S1</sub></b> <b>(dB(A))</b>	44	43	46	48	45	57	336	22	58
<b>L<sub>WA5, S2</sub></b> <b>(dB(A))</b>	48	61	59	61	57	55	62	41	68
<b>L<sub>WA5, S3</sub></b> <b>(dB(A))</b>	51	70	69	68	70	63	68	58	76
<b>L<sub>WA5, S4</sub></b> <b>(dB(A))</b>	52	74	75	74	73	69	66	70	81
<b>L<sub>WA5, S5</sub></b> <b>(dB(A))</b>	53	71	83	82	74	72	68	73	86
<b>L<sub>WA8, S1</sub></b> <b>(dB(A))</b>	44	45	50	53	52	55	37	23	59
<b>L<sub>WA8, S2</sub></b> <b>(dB(A))</b>	51	63	61	65	65	60	62	50	71
<b>L<sub>WA8, S3</sub></b> <b>(dB(A))</b>	54	68	70	74	75	70	70	65	80
<b>L<sub>WA8, S4</sub></b> <b>(dB(A))</b>	55	73	76	79	81	76	74	72	85
<b>L<sub>WA8, S5</sub></b> <b>(dB(A))</b>	57	74	79	83	82	78	75	73	88

L<sub>WA5</sub>= free inlet sound power level in dB.

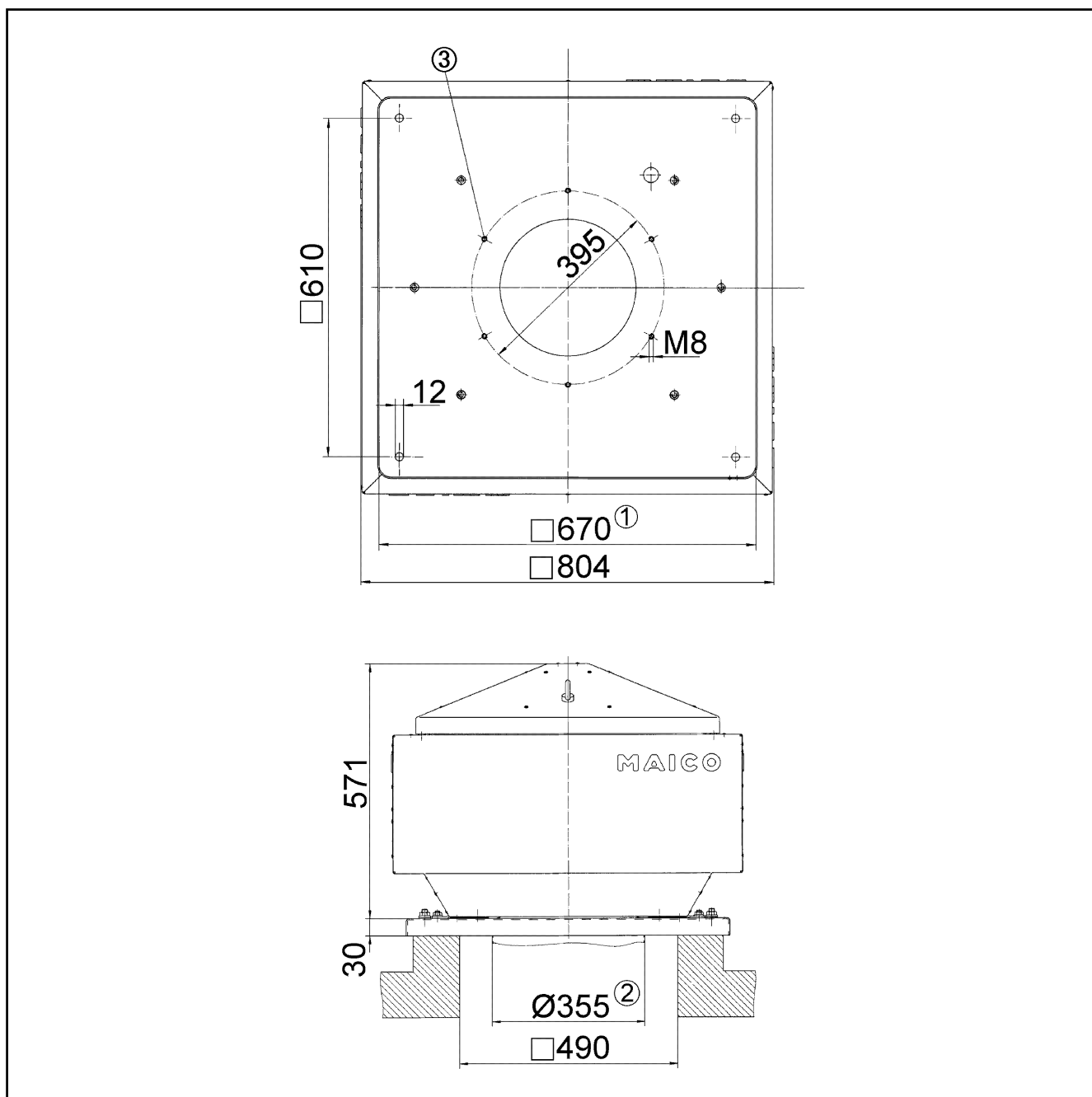
L<sub>WA8</sub>= housing and free outlet sound power level in dB.

## Characteristic curve



# DRD 35/4 B

Dimensioned drawing [mm]



- ① Clear width
- ② External duct diameter
- ③ Number of holes: 8