

# DRD 35/64 B



## Short description

Centrifugal roof fan, vertical air outlet, DN 355, three-phase AC, pole-changeable

## Application examples

Production facility, Workplace, Commercial premises, Industrial building, Restaurant

Article number 0087.0152

## Technical data

Air flow volume	3.500 m <sup>3</sup> /h / 5.000 m <sup>3</sup> /h
Rotating speed	930 1/min / 1.425 1/min
Speed controllable	✓
Reversing capacity	–
Type of voltage	Three-phase AC
Rated voltage	400 V
Nominal output	400 W / 1.200 W
I <sub>nom</sub>	0,9 A / 2,1 A
I <sub>max</sub>	0,9 A / 2,1 A
Degree of protection	IP 55
Insulation class	F
Pole-changeable	✓
Number of poles at high speed	4
Number of poles at low speed	6
Mains cable	5 x 1,5 mm <sup>2</sup>
Installation site	Roof
Installation position	vertical
Material	Sheet steel, galvanised
Weight	59
Weight including packaging	60 kg
Shutter	integrated
Type of shutter	Airstream-operated opening/closing
Nominal size	355 mm
Width with packaging	840 mm
Height with packaging	630 mm
Depth with packaging	840 mm
Airstream temperature at nominal current	-20 °C up to 60 °C
Airstream temperature at I <sub>Max</sub>	60 °C
Packing unit	1 piece

# DRD 35/64 B

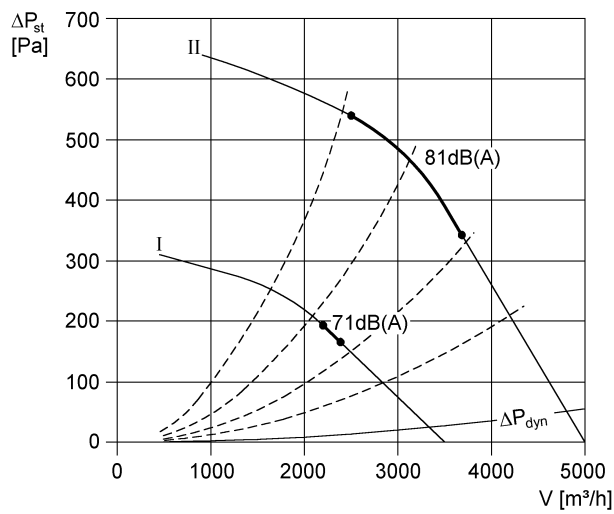
Range	C
GTIN (EAN)	4012799871521

## Sound power level in octave range

	63 Hz	125 Hz	250 Hz	500 Hz	1 kHz	2 kHz	4 kHz	8 kHz	Total
<b>L<sub>WA5, low</sub></b> <b>(dB(A))</b>	51	69	67	67	63	61	67	52	75
<b>L<sub>WA5, high</sub></b> <b>(dB(A))</b>	56	74	80	80	82	74	75	59	85
<b>L<sub>WA8, low</sub></b> <b>(dB(A))</b>	54	70	68	71	71	67	67	–	77
<b>L<sub>WA8, high</sub></b> <b>(dB(A))</b>	60	75	81	82	75	75	75	–	87

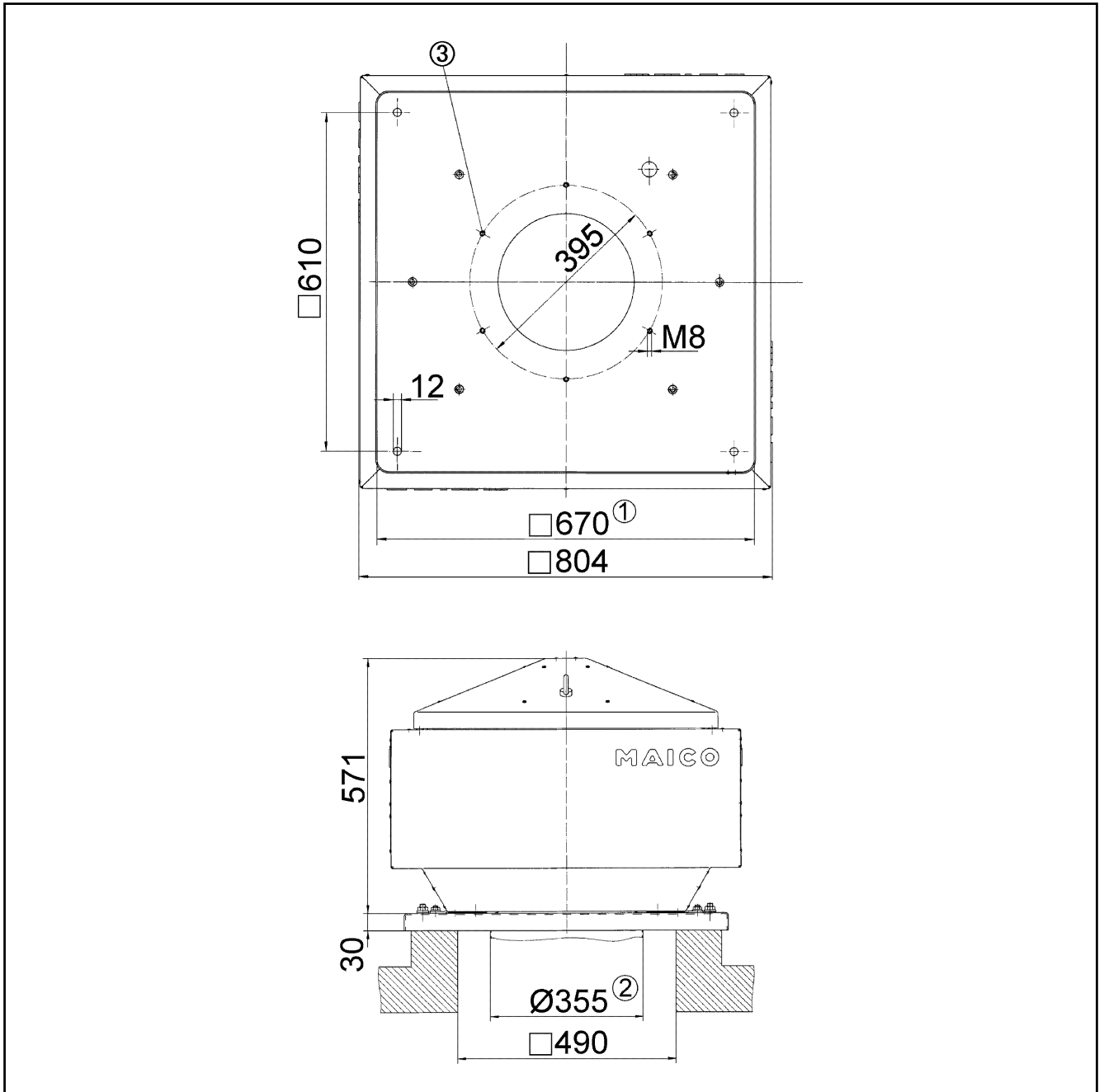
L<sub>WA5</sub>= free inlet sound power level in dB.  
 L<sub>WA8</sub>= housing and free outlet sound power level in dB.

## Characteristic curve



# DRD 35/64 B

Dimensioned drawing [mm]



- ① Clear width
- ② External duct diameter
- ③ Number of holes: 8