

DRD 35/6 B



Short description

Centrifugal roof fan, vertical air outlet, DN 355, three-phase AC

Application examples

Production facility, Workplace, Commercial premises, Industrial building, Restaurant

Article number 0087.0107

Technical data

Air flow volume	3.500 m ³ /h
Rotating speed	930 1/min
Speed controllable	✓
Reversing capacity	–
Type of voltage	Three-phase AC
Rated voltage	400 V
Nominal output	345 W
I _{nom}	0,8 A
I _{max}	1,1 A
Degree of protection	IP 55
Insulation class	F
Pole-changeable	–
Mains cable	5 x 1,5 mm ²
Installation site	Roof
Installation position	vertical
Material	Sheet steel, galvanised
Weight	54
Weight including packaging	60 kg
Shutter	integrated
Type of shutter	Airstream-operated opening/closing
Nominal size	355 mm
Width with packaging	830 mm
Height with packaging	635 mm
Depth with packaging	835 mm
Airstream temperature at nominal current	-20 °C up to 60 °C
Airstream temperature at I _{Max}	60 °C
Packing unit	1 piece
Range	C
GTIN (EAN)	4012799871071

DRD 35/6 B

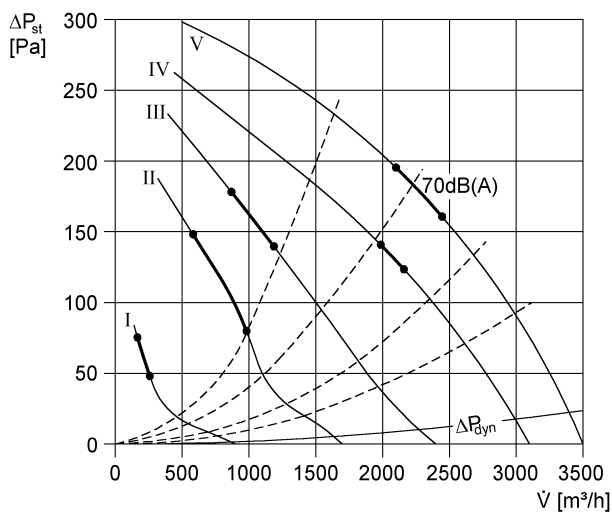
Sound power level in octave range

	63 Hz	125 Hz	250 Hz	500 Hz	1 kHz	2 kHz	4 kHz	8 kHz	Total
L_{WA5, S1} (dB(A))	34	33	38	45	47	49	25	12	53
L_{WA5, S2} (dB(A))	45	45	56	59	51	58	43	25	63
L_{WA5, S3} (dB(A))	48	61	58	72	58	53	62	38	73
L_{WA5, S4} (dB(A))	50	66	64	66	60	58	66	46	72
L_{WA5, S5} (dB(A))	51	69	67	67	63	61	67	52	74
L_{WA8, S1} (dB(A))	33	38	46	47	50	51	27	59	55
L_{WA8, S2} (dB(A))	47	48	61	60	56	56	45	51	65
L_{WA8, S3} (dB(A))	50	62	59	71	65	59	62	55	73
L_{WA8, S4} (dB(A))	53	66	66	68	68	63	64	27	74
L_{WA8, S5} (dB(A))	54	70	68	71	71	67	67	17	77

L_{WA5}= free inlet sound power level in dB.

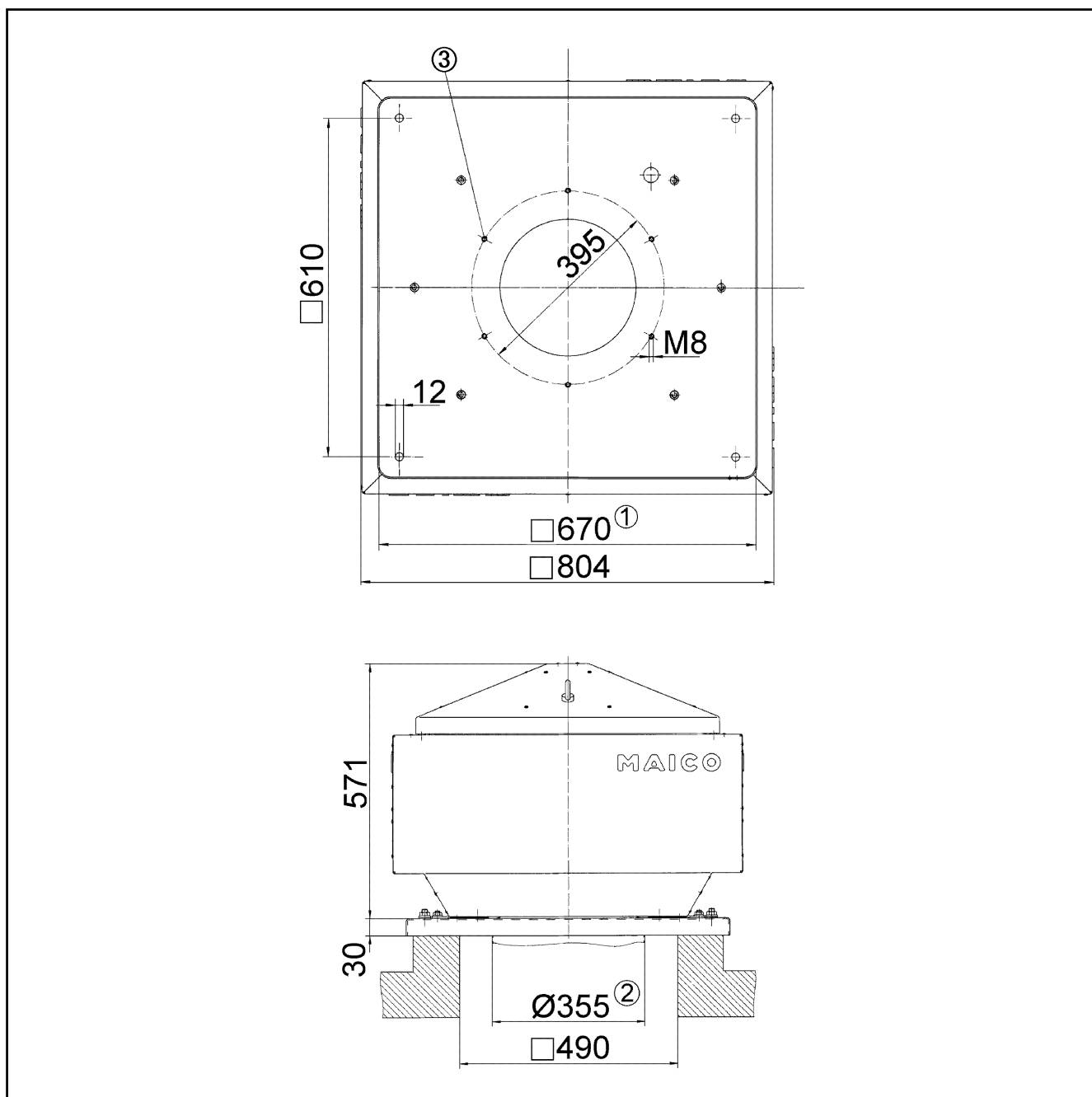
L_{WA8}= housing and free outlet sound power level in dB.

Characteristic curve



DRD 35/6 B

Dimensioned drawing [mm]



- ① Clear width
- ② External duct diameter
- ③ Number of holes: 8