

# DRD 40/4 B



## Short description

Centrifugal roof fan, vertical air outlet, DN 400, three-phase AC

## Application examples

Production facility, Workplace, Commercial premises, Industrial building, Restaurant

Article number 0087.0108

## Technical data

Air flow volume	6.500 m <sup>3</sup> /h
Rotating speed	1.425 1/min
Speed controllable	✓
Reversing capacity	–
Type of voltage	Three-phase AC
Rated voltage	400 V
Nominal output	1.650 W
I <sub>nom</sub>	3,5 A
I <sub>max</sub>	4,2 A
Degree of protection	IP 55
Insulation class	F
Pole-changeable	–
Mains cable	5 x 1,5 mm <sup>2</sup>
Installation site	Roof
Installation position	vertical
Material	Sheet steel, galvanised
Weight	72
Weight including packaging	80 kg
Shutter	integrated
Type of shutter	Airstream-operated opening/closing
Nominal size	400 mm
Width with packaging	920 mm
Height with packaging	675 mm
Depth with packaging	920 mm
Airstream temperature at nominal current	60 °C
Airstream temperature at I <sub>Max</sub>	60 °C
Packing unit	1 piece
Range	C
GTIN (EAN)	4012799871088

# DRD 40/4 B

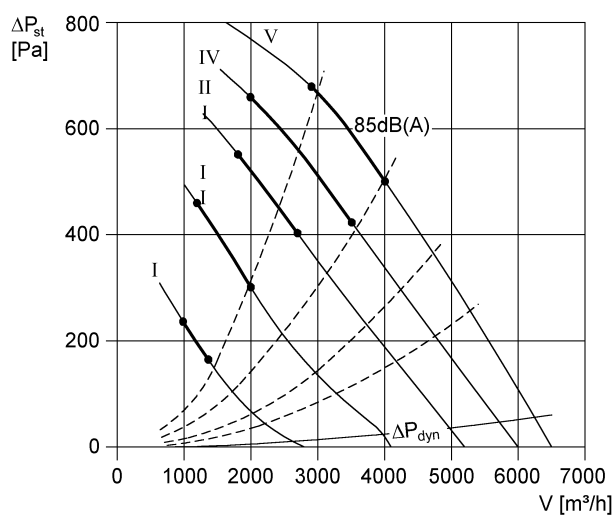
## Sound power level in octave range

	63 Hz	125 Hz	250 Hz	500 Hz	1 kHz	2 kHz	4 kHz	8 kHz	Total
<b>L<sub>WA5, S1</sub></b> <b>(dB(A))</b>	49	52	55	59	61	63	49	38	67
<b>L<sub>WA5, S2</sub></b> <b>(dB(A))</b>	48	68	69	69	67	68	70	56	76
<b>L<sub>WA5, S3</sub></b> <b>(dB(A))</b>	51	74	74	74	72	71	75	60	81
<b>L<sub>WA5, S4</sub></b> <b>(dB(A))</b>	53	76	79	78	76	74	77	72	85
<b>L<sub>WA5, S5</sub></b> <b>(dB(A))</b>	55	71	85	84	79	77	78	77	89
<b>L<sub>WA8, S1</sub></b> <b>(dB(A))</b>	50	53	59	64	64	68	61	54	72
<b>L<sub>WA8, S2</sub></b> <b>(dB(A))</b>	51	65	69	74	73	69	74	61	80
<b>L<sub>WA8, S3</sub></b> <b>(dB(A))</b>	56	69	75	79	79	75	78	71	85
<b>L<sub>WA8, S4</sub></b> <b>(dB(A))</b>	57	71	78	83	82	78	79	73	87
<b>L<sub>WA8, S5</sub></b> <b>(dB(A))</b>	58	72	81	87	85	80	79	76	91

L<sub>WA5</sub>= free inlet sound power level in dB.

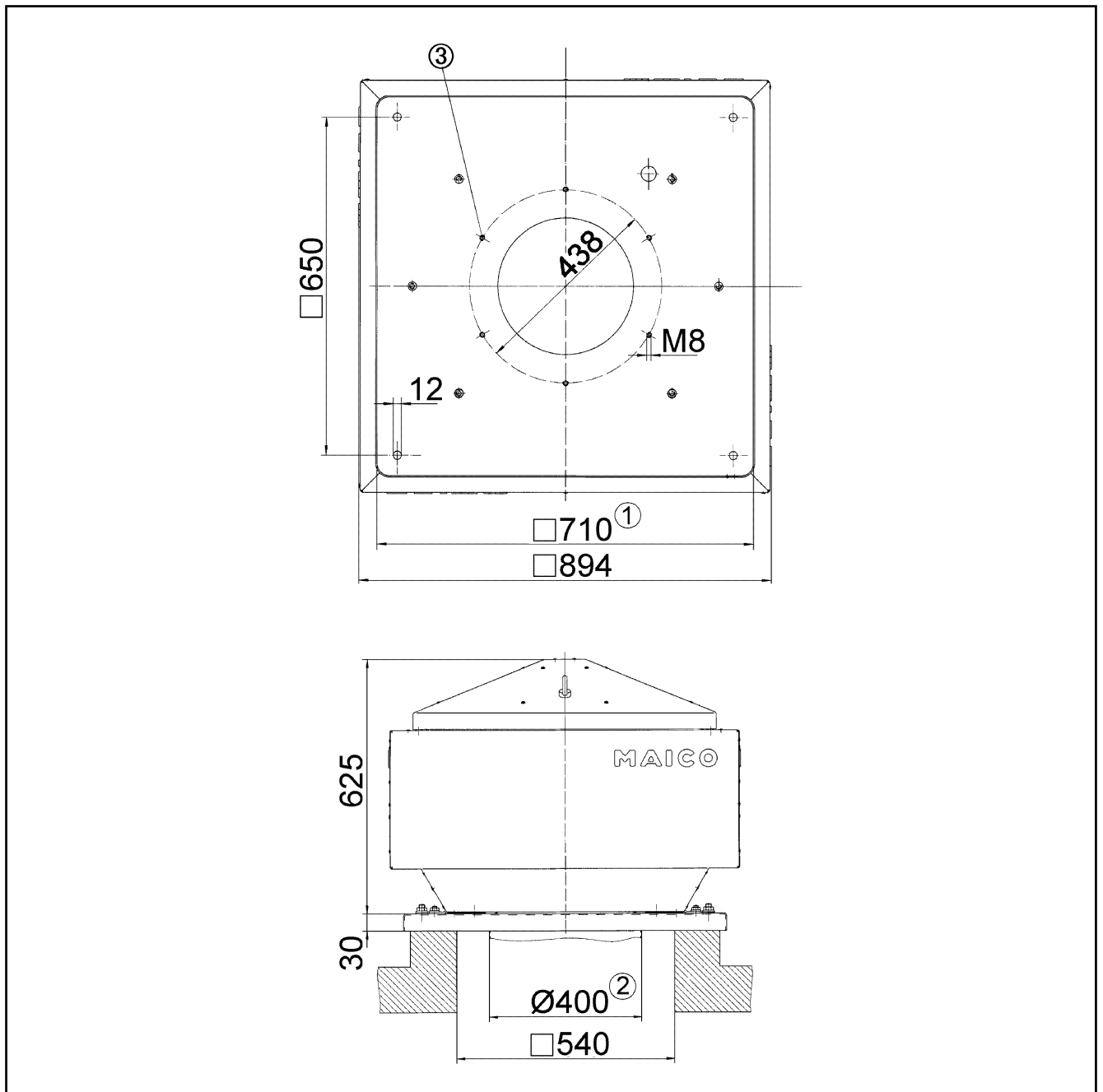
L<sub>WA8</sub>= housing and free outlet sound power level in dB.

## Characteristic curve



# DRD 40/4 B

Dimensioned drawing [mm]



- ① Clear width
- ② External duct diameter
- ③ Number of holes: 12