

# DRD 40/6 B



## Short description

Centrifugal roof fan, vertical air outlet, DN 400, three-phase AC

## Application examples

Production facility, Workplace, Commercial premises, Industrial building, Restaurant

Article number 0087.0109

## Technical data

Air flow volume	4.400 m <sup>3</sup> /h
Rotating speed	930 1/min
Speed controllable	✓
Reversing capacity	–
Type of voltage	Three-phase AC
Rated voltage	400 V
Nominal output	500 W
I <sub>nom</sub>	1 A
I <sub>max</sub>	1,2 A
Degree of protection	IP 55
Insulation class	F
Pole-changeable	–
Mains cable	5 x 1,5 mm <sup>2</sup>
Installation site	Roof
Installation position	vertical
Material	Sheet steel, galvanised
Weight	67
Weight including packaging	75 kg
Shutter	integrated
Type of shutter	Airstream-operated opening/closing
Nominal size	400 mm
Width with packaging	920 mm
Height with packaging	675 mm
Depth with packaging	920 mm
Airstream temperature at nominal current	60 °C
Airstream temperature at I <sub>Max</sub>	60 °C
Packing unit	1 piece
Range	C
GTIN (EAN)	4012799871095

# DRD 40/6 B

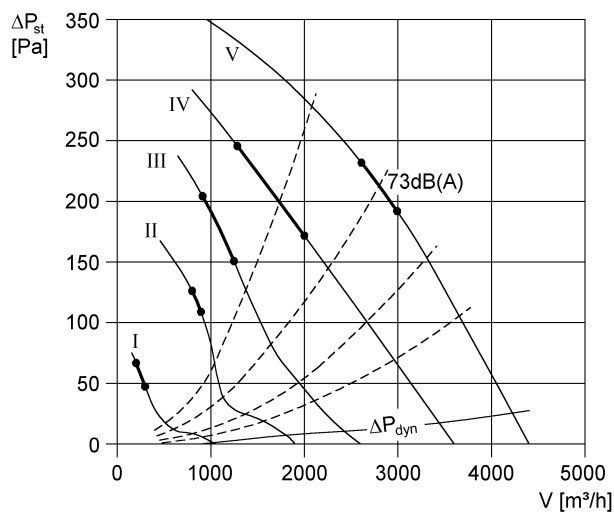
## Sound power level in octave range

	63 Hz	125 Hz	250 Hz	500 Hz	1 kHz	2 kHz	4 kHz	8 kHz	Total
<b>L<sub>WA5, S1</sub></b> <b>(dB(A))</b>	30	35	40	41	52	36	24	11	53
<b>L<sub>WA5, S2</sub></b> <b>(dB(A))</b>	45	44	48	49	52	55	38	28	58
<b>L<sub>WA5, S3</sub></b> <b>(dB(A))</b>	48	51	57	56	55	61	46	35	64
<b>L<sub>WA5, S4</sub></b> <b>(dB(A))</b>	46	64	66	68	63	64	64	47	73
<b>L<sub>WA5, S5</sub></b> <b>(dB(A))</b>	49	70	72	70	68	67	69	53	77
<b>L<sub>WA8, S1</sub></b> <b>(dB(A))</b>	30	39	45	45	52	39	30	17	54
<b>L<sub>WA8, S2</sub></b> <b>(dB(A))</b>	46	46	53	54	55	55	43	33	61
<b>L<sub>WA8, S3</sub></b> <b>(dB(A))</b>	49	52	60	62	61	61	50	38	67
<b>L<sub>WA8, S4</sub></b> <b>(dB(A))</b>	50	68	67	71	70	65	64	47	76
<b>L<sub>WA8, S5</sub></b> <b>(dB(A))</b>	52	67	72	75	74	69	69	54	80

L<sub>WA5</sub>= free inlet sound power level in dB.

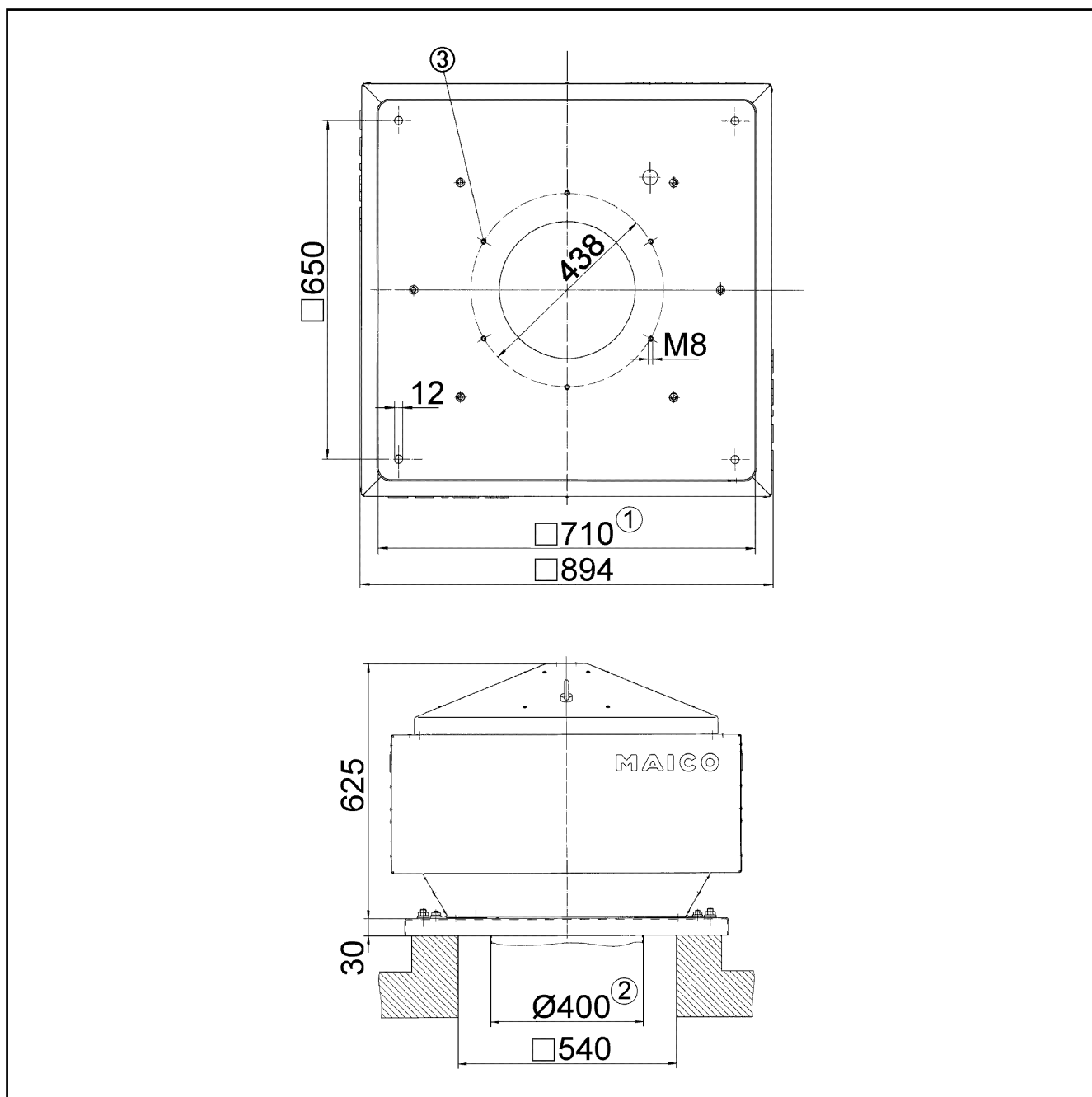
L<sub>WA8</sub>= housing and free outlet sound power level in dB.

## Characteristic curve



# DRD 40/6 B

Dimensioned drawing [mm]



- ① Clear width
- ② External duct diameter
- ③ Number of holes: 12