

DRD 45/4 B



Short description

Centrifugal roof fan, vertical air outlet, DN 450, three-phase AC

Application examples

Production facility, Workplace, Commercial premises, Industrial building, Restaurant

Article number 0087.0110

Technical data

Air flow volume	8.900 m ³ /h (Air volume (free inlet, free outlet) = 8,900 m ³ /h - air volume (at minimum pressure Delta p min of 300 Pa) = 7,500 m ³ /h)
Rotating speed	1.360 1/min
Speed controllable	–
Reversing capacity	–
Type of voltage	Alternating current
Rated voltage	400 V
Nominal output	2.150 W
I _{nom}	4,1 A
I _{max}	5 A
Degree of protection	IP 55
Insulation class	F
Installation site	Roof
Installation position	vertical
Material	Sheet steel, galvanised
Weight	100,7
Shutter	integrated
Type of shutter	Airstream-operated opening/closing
Nominal size	450 mm
Airstream temperature at nominal current	60 °C
Airstream temperature at I _{Max}	-20 °C up to 60 °C
Packing unit	1 piece
Range	C
GTIN (EAN)	4012799871101

DRD 45/4 B

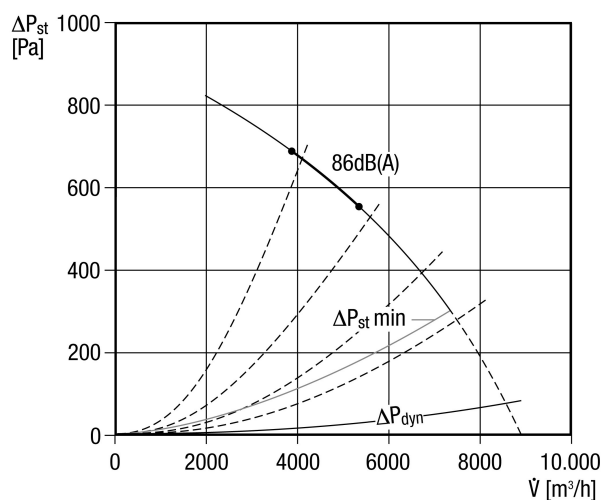
Sound power level in octave range

	63 Hz	125 Hz	250 Hz	500 Hz	1 kHz	2 kHz	4 kHz	8 kHz	Total
L_{WA5, S1} (dB(A))	47	49	52	53	56	66	53	36	67
L_{WA5, S2} (dB(A))	54	59	62	63	63	69	69	55	74
L_{WA5, S3} (dB(A))	56	70	70	70	68	70	76	61	80
L_{WA5, S4} (dB(A))	58	78	79	75	74	74	80	73	85
L_{WA5, S5} (dB(A))	60	80	84	81	79	78	80	81	90
L_{WA8, S1} (dB(A))	49	50	57	58	58	64	51	35	67
L_{WA8, S2} (dB(A))	57	61	65	69	67	68	67	54	75
L_{WA8, S3} (dB(A))	60	68	71	75	73	70	74	59	81
L_{WA8, S4} (dB(A))	62	74	77	80	79	76	77	70	86
L_{WA8, S5} (dB(A))	66	79	83	86	84	80	79	78	92

L_{WA5}= free inlet sound power level in dB.

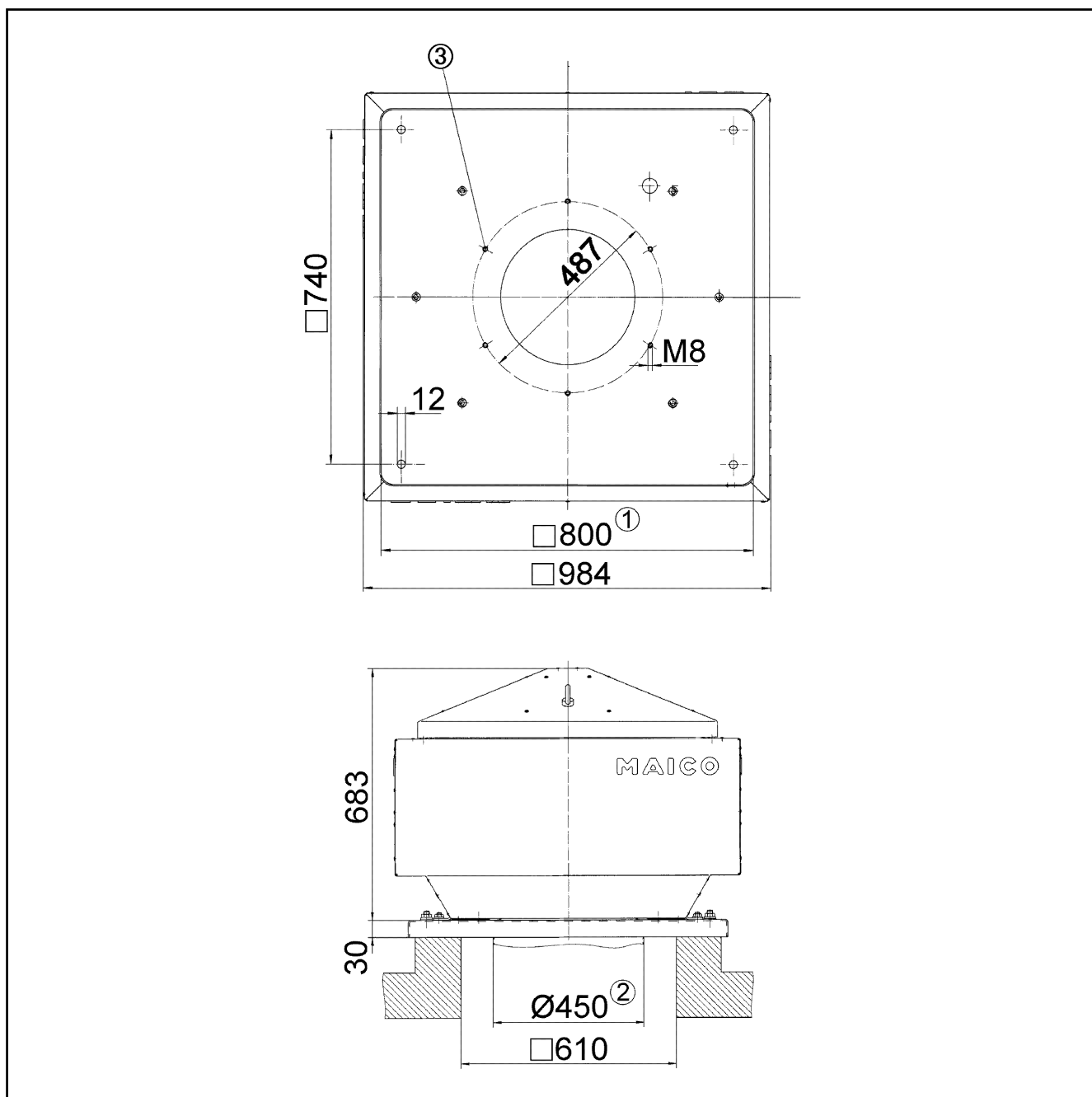
L_{WA8}= housing and free outlet sound power level in dB.

Characteristic curve



DRD 45/4 B

Dimensioned drawing [mm]



- ① Clear width
- ② External duct diameter
- ③ Number of holes: 12