

DRH 16-5



Short description

Electrical air heater, DN 160, 3-phase current

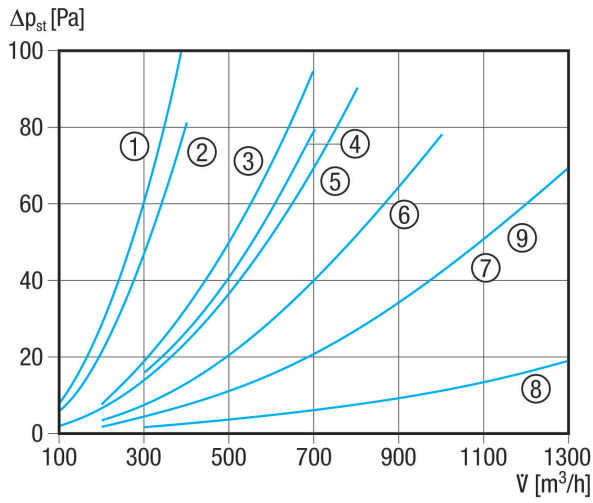
Article number 0082.0105

Technical data

Type of voltage	Three-phase AC
Rated voltage	400 V
Frequency	50 Hz
I_{max}	12,5 A
Degree of protection	IP 43
Mains cable	5 x 1,5 mm ²
Installation	inside and outside
Installation position	horizontal / vertical
Housing material	Sheet steel, galvanised
Weight	3,91 kg
Weight including packaging	4,31 kg
Nominal size	160 mm
Width	160 mm
Height	241 mm
Depth	375 mm
Width with packaging	235 mm
Height with packaging	305 mm
Depth with packaging	385 mm
Air heater type	electrical
Heater power rating	5.000 W
Packing unit	1 piece
Range	C
GTIN (EAN)	4012799821052

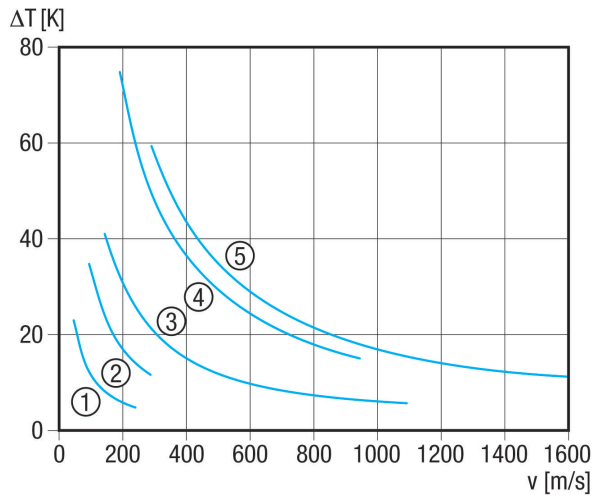
DRH 16-5

Characteristic curve Pressure losses



- ① DRH 16-5
- ② ERH 12-1
- ③ ERH 16-2
- ④ ERH 10-04
- ⑤ DRH 20-5
- ⑥ DRH 25-6
- ⑦ ERH 20-2
- ⑧ DRH 25-2
- ⑨ DRH 31-6

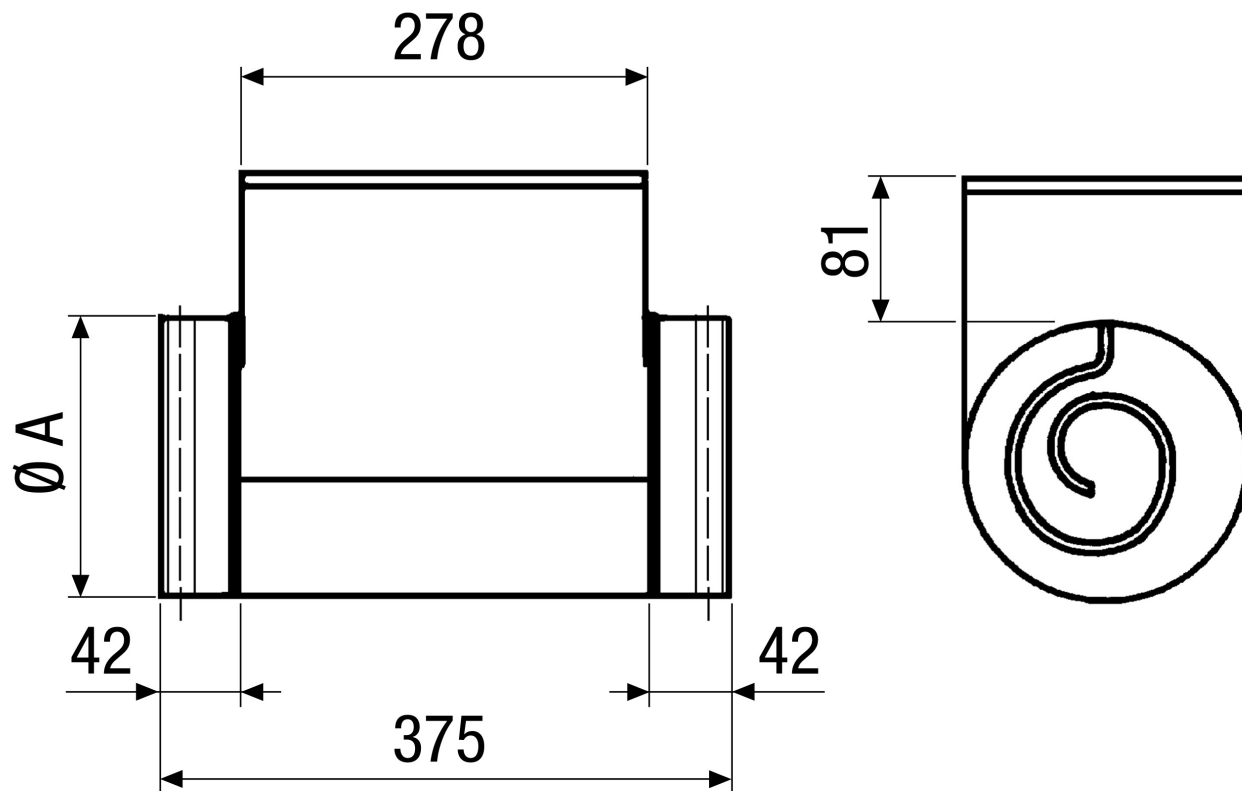
Characteristic curve Temperature rise



- ① ERH 10-04
- ② ERH 12-1
- ③ ERH 16-2, ERH 20-2, ERH 25-2
- ④ DRH 16-5, DRH 20-5
- ⑤ DRH 25-6, DRH 31-6

DRH 16-5

Dimensioned drawing [mm]



A
160