

# DRH 20-6 R



## Short description

Electrical air heater with integrated temperature controller, DN 200, 400 VAC/50 Hz, 6.0 KW

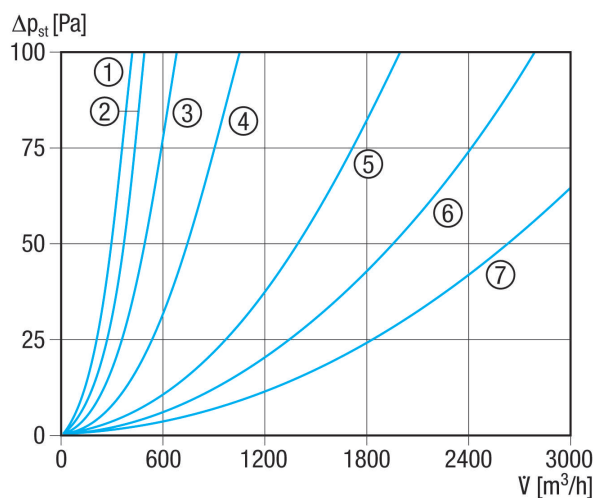
Article number 0082.0144

## Technical data

Minimum air flow volume	170 m³/h
Type of voltage	Three-phase AC
Rated voltage	400 V
Frequency	50 Hz
I <sub>max</sub>	15 A
Degree of protection	IP 43
Mains cable	5 x 1,5 mm²
Installation	inside and outside
Installation position	horizontal / vertical
Housing material	Sheet steel, galvanised
Weight	5,02 kg
Weight including packaging	5,46 kg
Nominal size	200 mm
Width	200 mm
Height	281 mm
Depth	375 mm
Width with packaging	270 mm
Height with packaging	335 mm
Depth with packaging	385 mm
Air heater type	electrical
Heater power rating	6.000 W
Packing unit	1 piece
Range	C
GTIN (EAN)	4012799821441

# DRH 20-6 R

## Characteristic curve Pressure losses



- ① ERH 16-2 R
- ② DRH 16-5 R
- ③ DRH 20-6 R
- ④ DRH 25-9 R
- ⑤ DRH 31-12 R
- ⑥ DRH 35-12 R
- ⑦ DRH 40-12 R

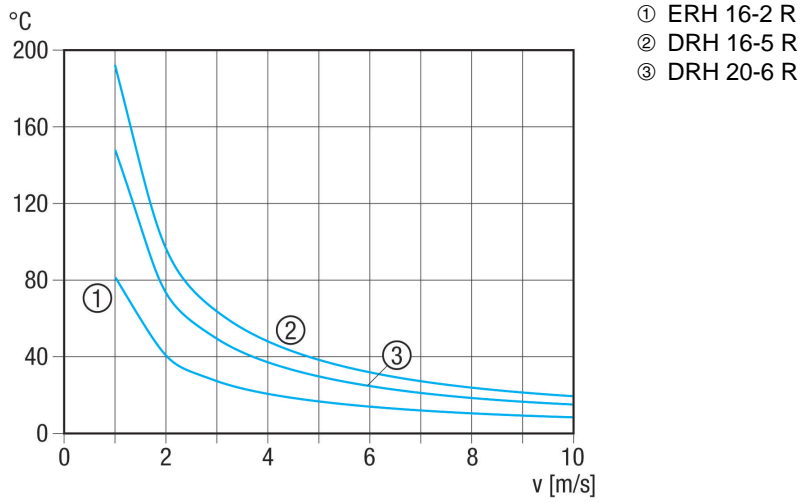
## Characteristic curve Increase in temperature



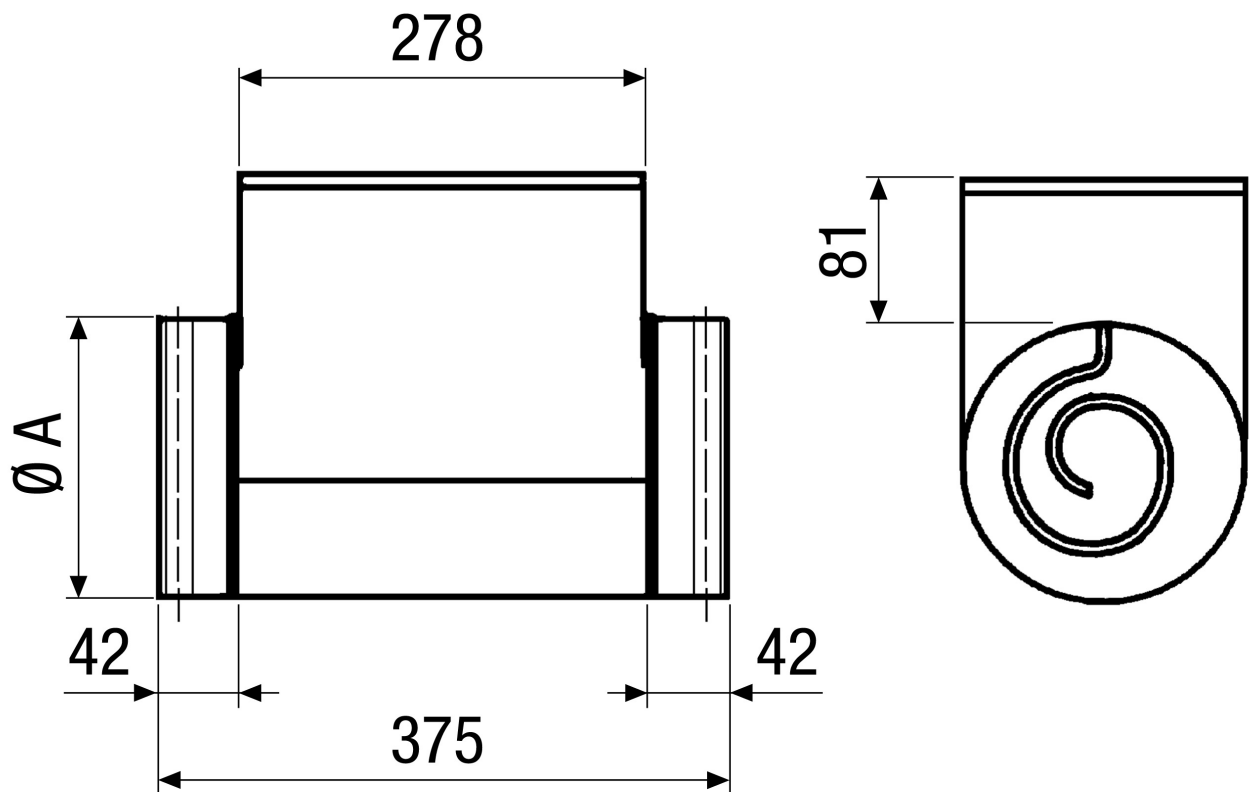
- ① DRH 25-9 R
- ② DRH 31-12 R
- ③ DRH 35-12 R
- ④ DRH 40-12 R

# DRH 20-6 R

## Characteristic curve Increase in temperature



## Dimensioned drawing [mm]



A  
200



# DRH 20-6 R

DRH 35-12 R: No rubber seal on the connection couplings