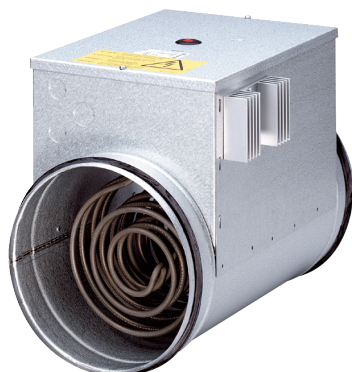


DRH 40-12 R



Short description

Electric air heater with integrated temperature controller, DN 400, three-phase AC

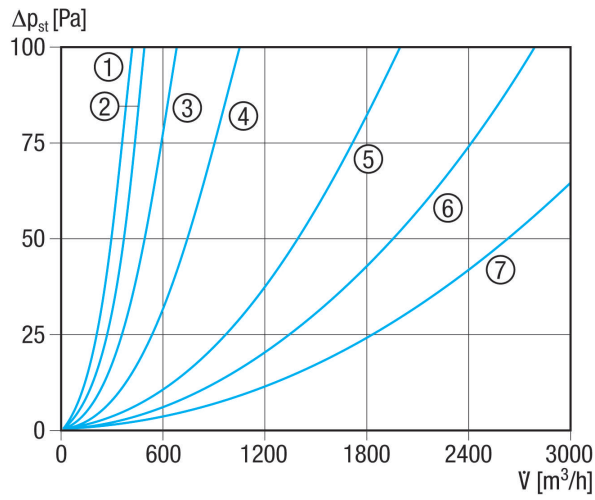
Article number 0082.0148

Technical data

Minimum air flow volume	680 m³/h
Type of voltage	Three-phase AC
Rated voltage	400 V
Frequency	50 Hz
I _{max}	10 A
Degree of protection	IP 43
Installation	Inside
Installation position	horizontal / vertical
Housing material	Sheet steel, galvanised
Weight	9,18 kg
Weight including packaging	10,22 kg
Nominal size	400 mm
Width	400 mm
Height	481 mm
Depth	375 mm
Width with packaging	470 mm
Height with packaging	540 mm
Depth with packaging	385 mm
Air heater type	electrical
Heater power rating	12.000 W
Packing unit	1 piece
Range	C
GTIN (EAN)	4012799821489

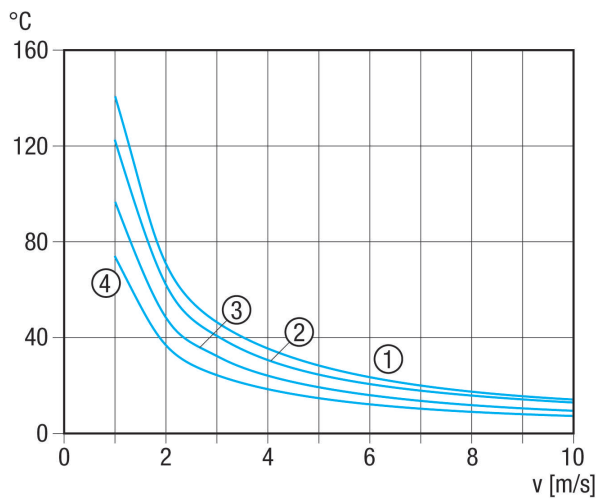
DRH 40-12 R

Characteristic curve Pressure losses



- ① ERH 16-2 R
- ② DRH 16-5 R
- ③ DRH 20-6 R
- ④ DRH 25-9 R
- ⑤ DRH 31-12 R
- ⑥ DRH 35-12 R
- ⑦ DRH 40-12 R

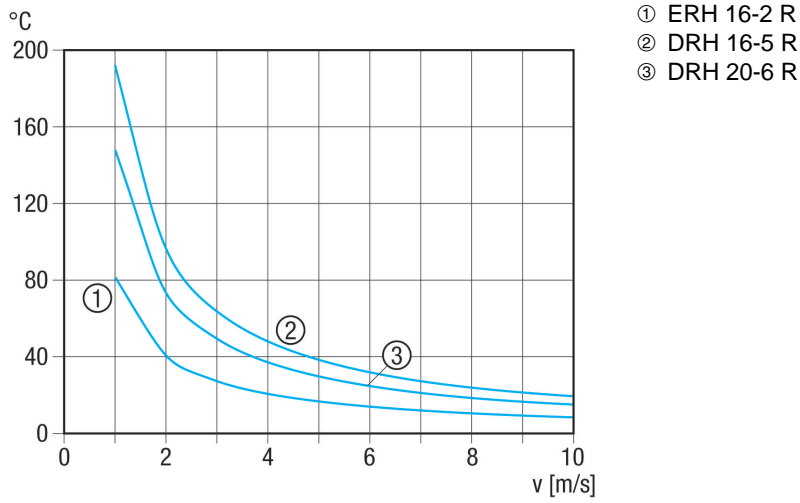
Characteristic curve Increase in temperature



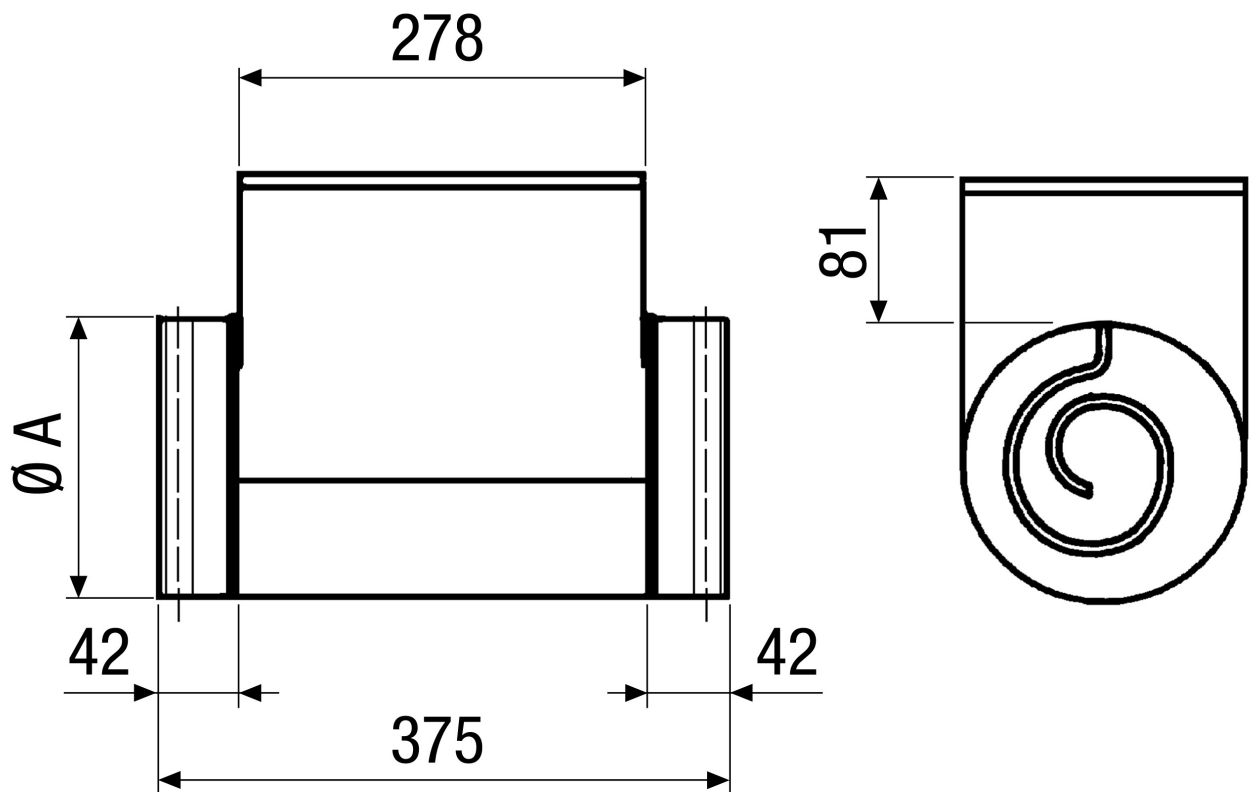
- ① DRH 25-9 R
- ② DRH 31-12 R
- ③ DRH 35-12 R
- ④ DRH 40-12 R

DRH 40-12 R

Characteristic curve Increase in temperature



Dimensioned drawing [mm]



A
400



DRH 40-12 R

DRH 35-12 R: No rubber seal on the connection couplings