

DSQ 31/4



Short description

Sound-insulated radial fan for indoor fitting, three-phase AC, DN 315

Application examples

Workplace, Workplace air extraction system, Storage facility, Workshop, Day room

Article number 0080.0033

Technical data

Air flow volume	2.000 m ³ /h
Speed controllable	✓
Type of voltage	Three-phase AC
Rated voltage	400 V
Frequency	50 Hz
Nominal output	120 W
P _{Max}	120 W
I _{nom}	0,6 A
I _{max}	0,6 A
Degree of protection	IP 55
Insulation class	F
Mains cable	5 x 1,5 mm ²
Housing material	Sheet steel, galvanised
Weight	33,5 kg
Weight including packaging	35,78 kg
Swivelling fan	–
Nominal size	315 mm
Width	506 mm
Height	500 mm
Depth	565 mm
Width with packaging	620 mm
Height with packaging	590 mm
Depth with packaging	620 mm
Airstream temperature at nominal current	-20 °C up to 50 °C
Airstream temperature at I _{Max}	-20 °C up to 50 °C
Sound pressure level	43 dB(A) (Distance 3 m, Free-field conditions)
Packing unit	1 piece
Range	C
GTIN (EAN)	4012799800330

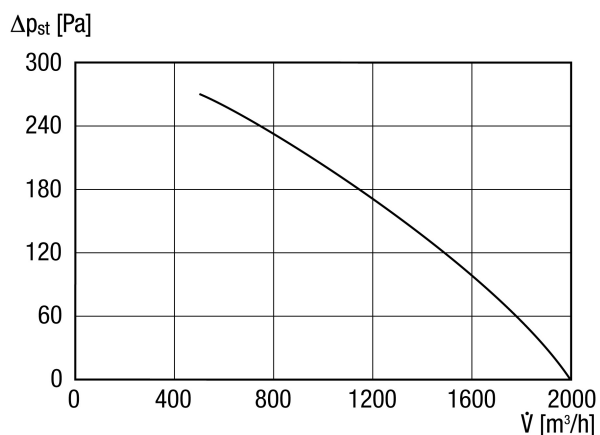
DSQ 31/4

Sound power level in octave range

	63 Hz	125 Hz	250 Hz	500 Hz	1 kHz	2 kHz	4 kHz	8 kHz	Total
L_{WA2}, high (dB(A))	–	55	49	45	44	37	34	30	53
L_{WA5}, high (dB(A))	–	61	59	61	60	57	51	45	67
L_{WA6}, high (dB(A))	–	55	63	66	60	57	54	43	69

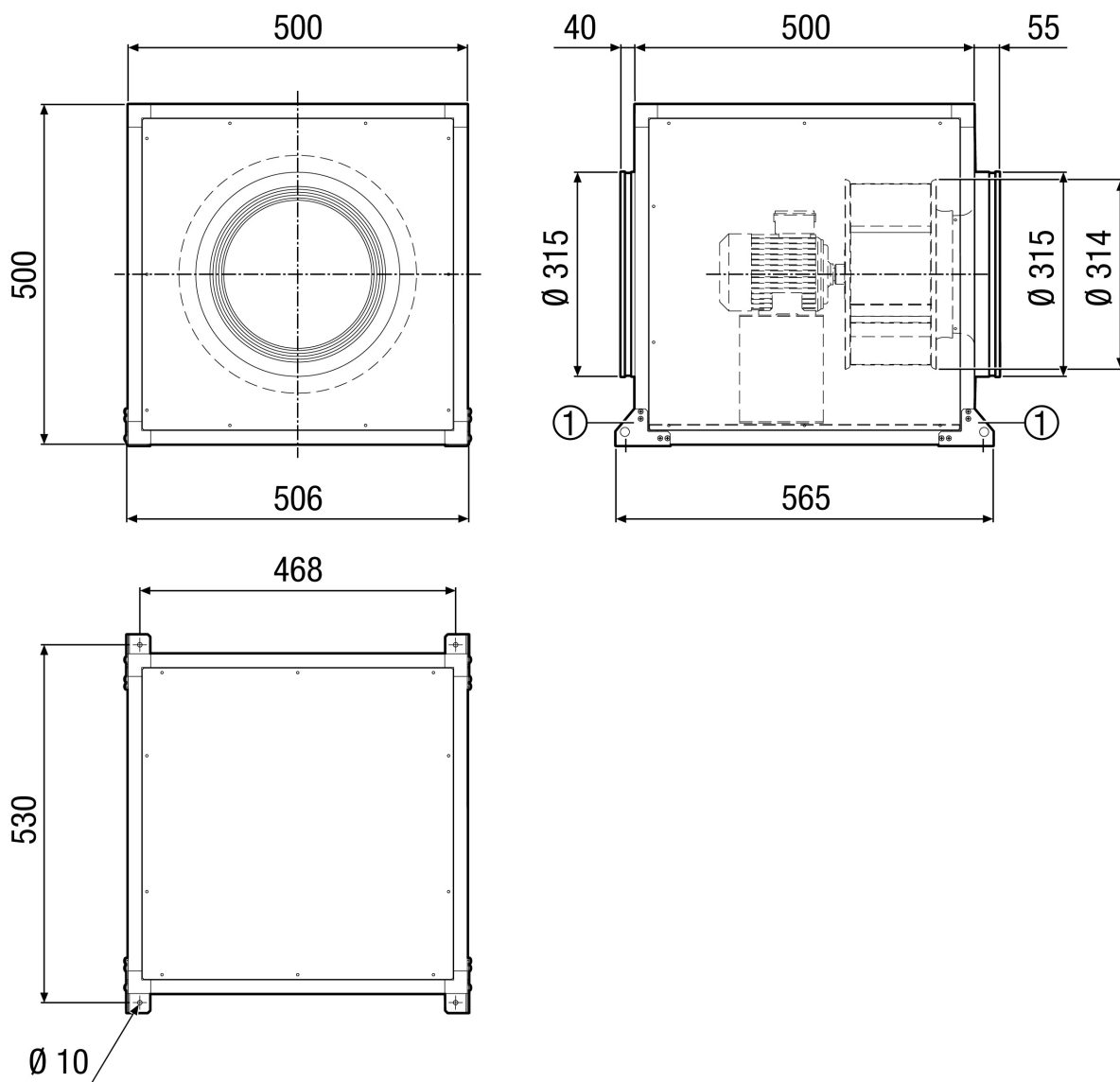
L_{WA2}= housing sound power level in dB.
 L_{WA5}= free inlet sound power level in dB.
 L_{WA6}= free outlet sound power level in dB.

Characteristic curve



DSQ 31/4

Dimensioned drawing [mm]



① Mounting bracket included in the scope of delivery