

# DSQ 50/4



## Short description

Sound-insulated radial fan for indoor fitting, three-phase AC, DN 500

## Application examples

Workplace, Workplace air extraction system, Storage facility, Workshop, Day room

Article number 0080.0038

## Technical data

Air flow volume	6.900 m <sup>3</sup> /h
Speed controllable	✓
Type of voltage	Three-phase AC
Rated voltage	400 V
Frequency	50 Hz
Nominal output	1.100 W
P <sub>Max</sub>	1.100 W
I <sub>nom</sub>	2,8 A
I <sub>max</sub>	2,8 A
Degree of protection	IP 55
Insulation class	F
Mains cable	5 x 1,5 mm <sup>2</sup>
Housing material	Sheet steel, galvanised
Weight	78,5 kg
Weight including packaging	99 kg
Swivelling fan	–
Nominal size	500 mm
Width with packaging	1.200 mm
Height with packaging	800 mm
Depth with packaging	980 mm
Airstream temperature at nominal current	-20 °C up to 50 °C
Airstream temperature at I <sub>Max</sub>	-20 °C up to 50 °C
Sound pressure level	56 dB(A) (Distance 3 m, Free-field conditions)
Packing unit	1 piece
Range	C
GTIN (EAN)	4012799800385

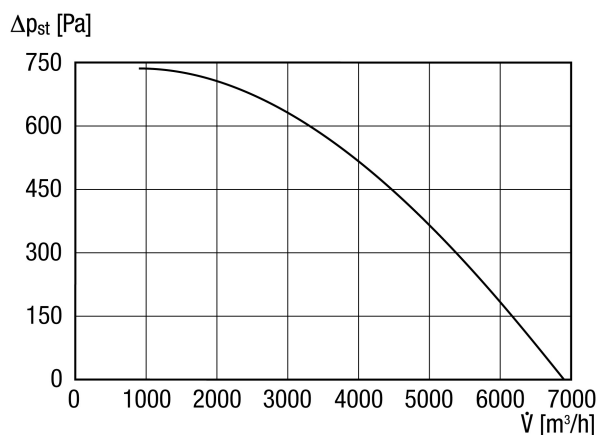
# DSQ 50/4

## Sound power level in octave range

	63 Hz	125 Hz	250 Hz	500 Hz	1 kHz	2 kHz	4 kHz	8 kHz	Total
<b>L<sub>WA2</sub>, high (dB(A))</b>	–	57	60	56	60	49	46	41	67
<b>L<sub>WA5</sub>, high (dB(A))</b>	–	65	72	76	80	72	61	55	81
<b>L<sub>WA6</sub>, high (dB(A))</b>	–	66	74	76	81	72	61	55	86

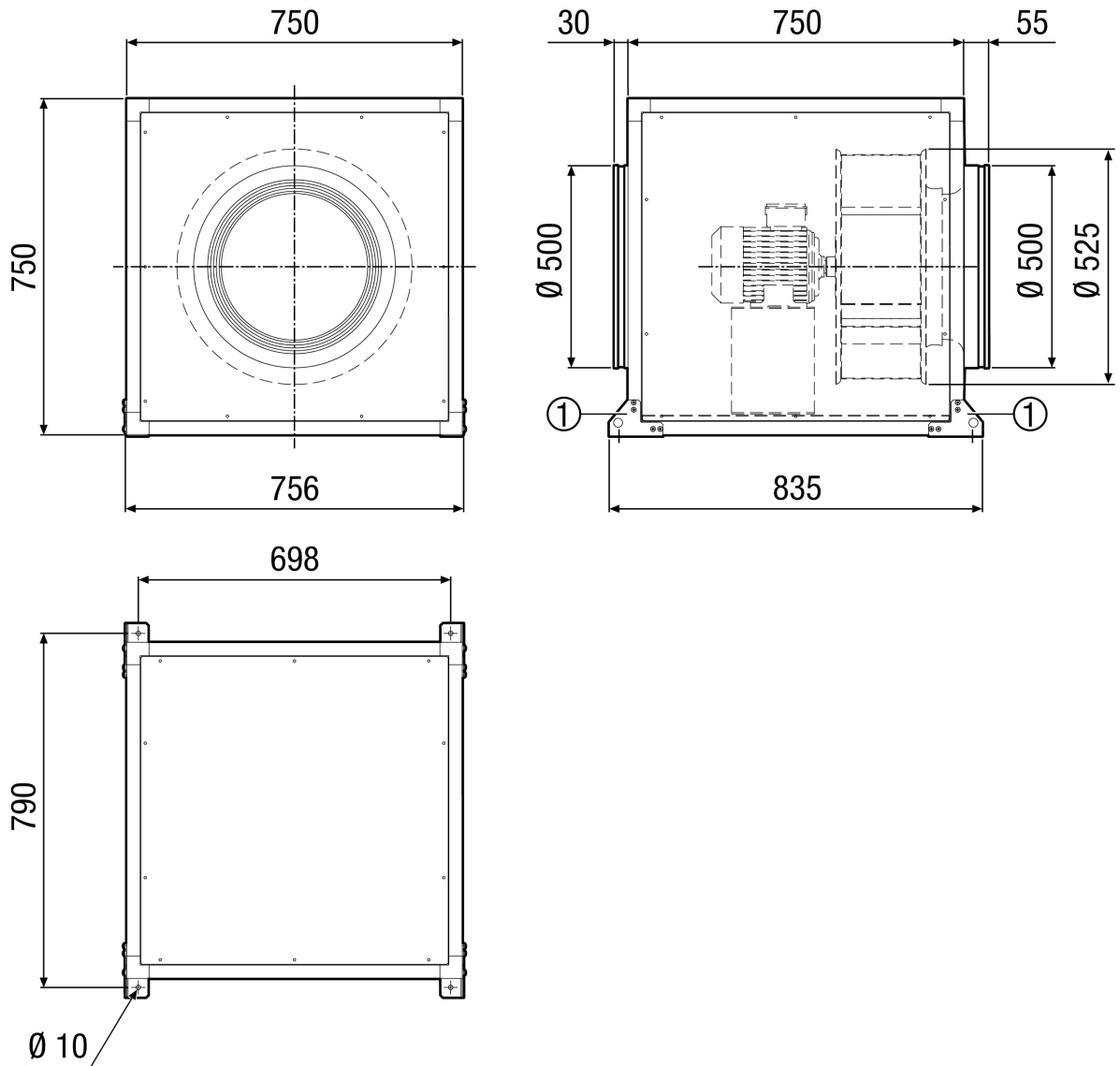
L<sub>WA2</sub>= housing sound power level in dB.  
 L<sub>WA5</sub>= free inlet sound power level in dB.  
 L<sub>WA6</sub>= free outlet sound power level in dB.

## Characteristic curve



# DSQ 50/4

Dimensioned drawing [mm]



① Mounting bracket included in the scope of delivery