

DSQ 50/6



Short description

Sound-insulated radial fan for indoor fitting, three-phase AC, DN 500

Application examples

Workplace, Workplace air extraction system, Storage facility, Workshop, Day room

Article number 0080.0039

Technical data

Air flow volume	4.300 m ³ /h
Speed controllable	✓
Type of voltage	Three-phase AC
Rated voltage	400 V
Frequency	50 Hz
Nominal output	370 W
P _{Max}	370 W
I _{nom}	1,2 A
I _{max}	1,2 A
Degree of protection	IP 55
Insulation class	F
Mains cable	5 x 1,5 mm ²
Installation position	vertical / horizontal
Housing material	Sheet steel, galvanised
Weight	80 kg
Weight including packaging	80 kg
Swivelling fan	–
Nominal size	500 mm
Width	756 mm
Height	750 mm
Depth	835 mm
Width with packaging	756 mm
Height with packaging	750 mm
Depth with packaging	835 mm
Airstream temperature at nominal current	-20 °C up to 50 °C
Airstream temperature at I _{Max}	-20 °C up to 50 °C
Sound pressure level	45 dB(A) (Distance 3 m, Free-field conditions)
Packing unit	1 piece
Range	C

DSQ 50/6

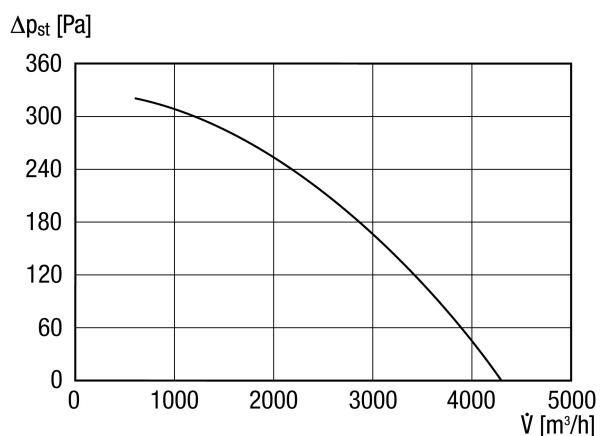
GTIN (EAN)	4012799800392
------------	---------------

Sound power level in octave range

	63 Hz	125 Hz	250 Hz	500 Hz	1 kHz	2 kHz	4 kHz	8 kHz	Total
L_{WA2}, high (dB(A))	–	52	54	46	45	39	40	36	58
L_{WA5}, high (dB(A))	–	59	65	63	63	60	58	53	70
L_{WA6}, high (dB(A))	–	59	69	71	63	63	66	63	75

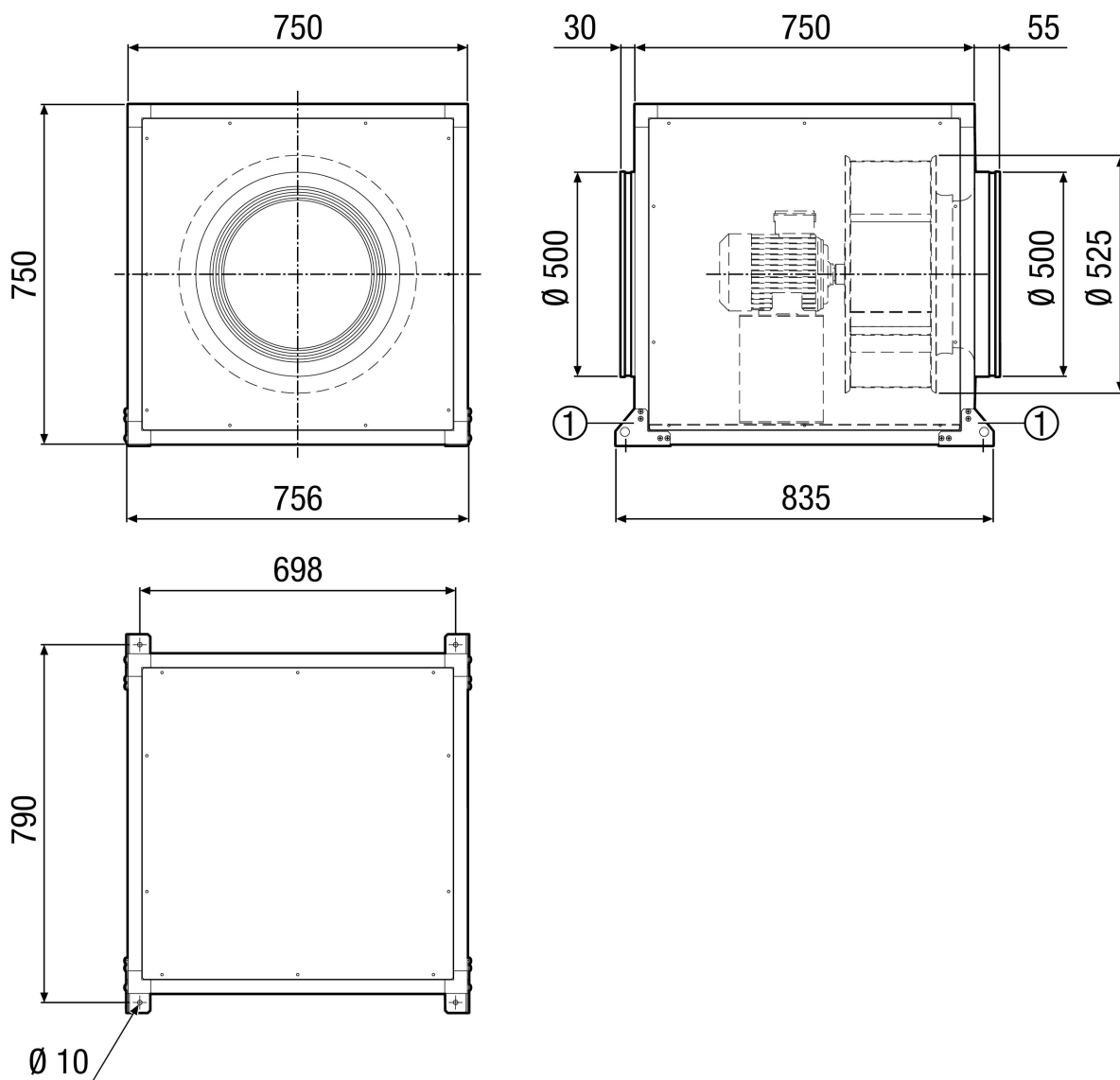
L_{WA2}= housing sound power level in dB.
 L_{WA5}= free inlet sound power level in dB.
 L_{WA6}= free outlet sound power level in dB.

Characteristic curve



DSQ 50/6

Dimensioned drawing [mm]



① Mounting bracket included in the scope of delivery