

DSQ 63/6



Short description

Sound-insulated radial fan for indoor fitting, three-phase AC, DN 630

Application examples

Workplace, Workplace air extraction system, Storage facility, Workshop, Day room

Article number 0080.0041

Technical data

Air flow volume	11.000 m³/h
Speed controllable	✓
Type of voltage	Three-phase AC
Rated voltage	400 V
Frequency	50 Hz
Nominal output	1.100 W
P _{Max}	1.100 W
I _{nom}	3,4 A
I _{max}	3,4 A
Degree of protection	IP 55
Insulation class	F
Mains cable	5 x 1,5 mm²
Housing material	Sheet steel, galvanised
Weight	132,5 kg
Weight including packaging	146 kg
Swivelling fan	–
Nominal size	630 mm
Width with packaging	1.200 mm
Height with packaging	1.135 mm
Depth with packaging	1.010 mm
Airstream temperature at nominal current	-20 °C up to 50 °C
Airstream temperature at I _{Max}	-20 °C up to 50 °C
Sound pressure level	52 dB(A) (Distance 3 m, Free-field conditions)
Packing unit	1 piece
Range	C
GTIN (EAN)	4012799800415

DSQ 63/6

Sound power level in octave range

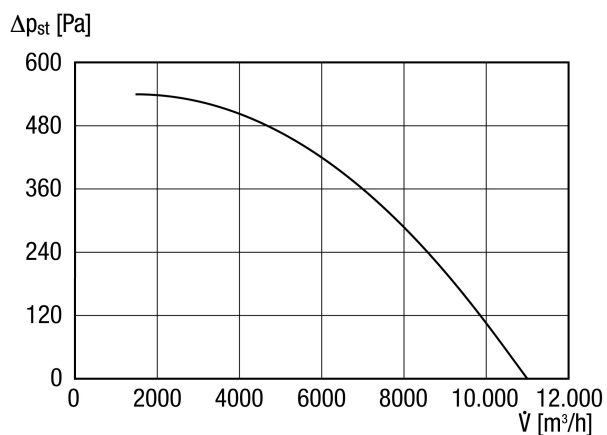
	63 Hz	125 Hz	250 Hz	500 Hz	1 kHz	2 kHz	4 kHz	8 kHz	Total
L_{WA2}, high (dB(A))	–	54	56	48	47	41	42	38	60
L_{WA5}, high (dB(A))	–	62	68	66	66	62	60	55	73
L_{WA6}, high (dB(A))	–	62	72	74	66	65	67	65	79

L_{WA2}= housing sound power level in dB.

L_{WA5}= free inlet sound power level in dB.

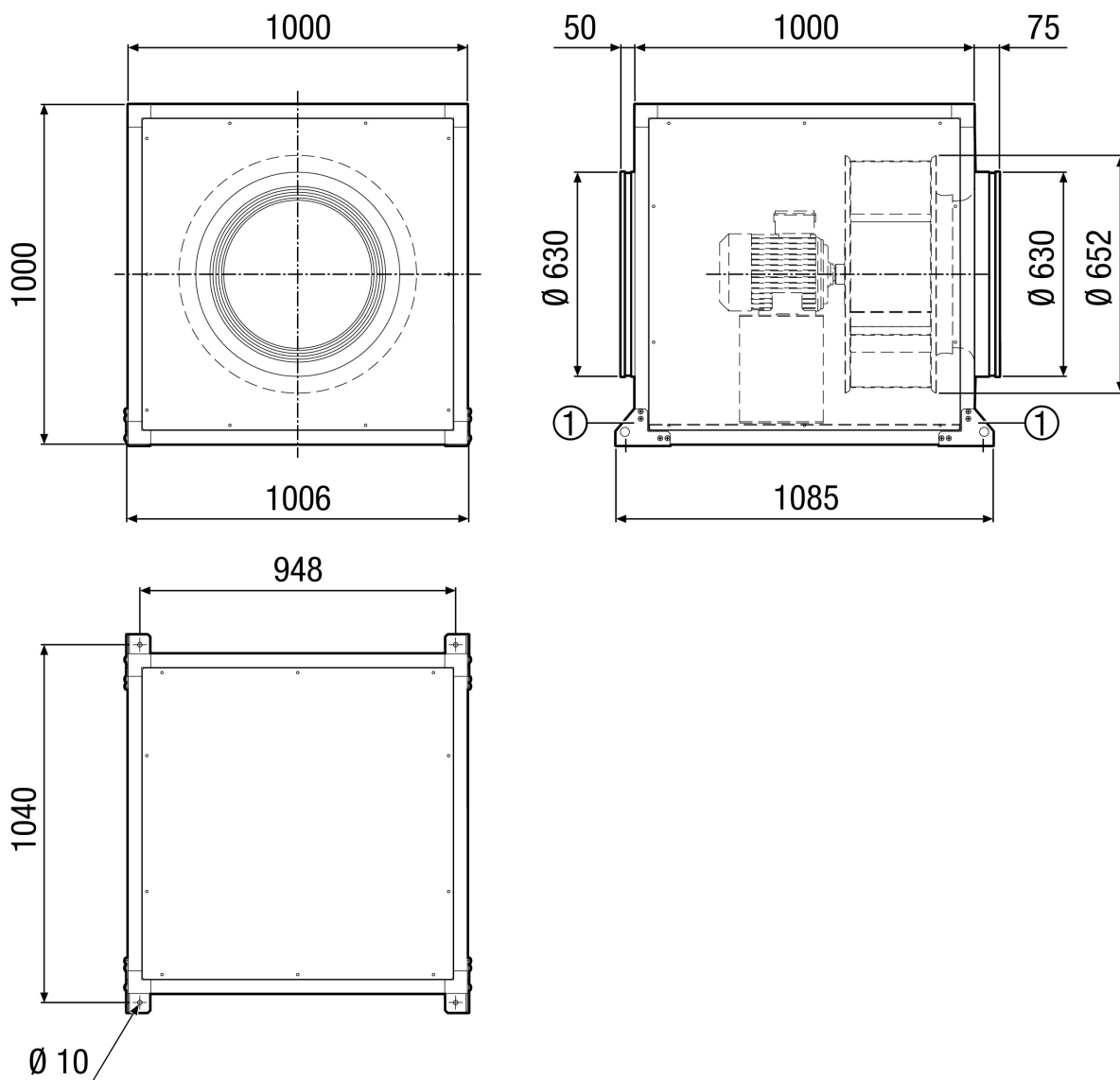
L_{WA6}= free outlet sound power level in dB.

Characteristic curve



DSQ 63/6

Dimensioned drawing [mm]



① Mounting bracket included in the scope of delivery