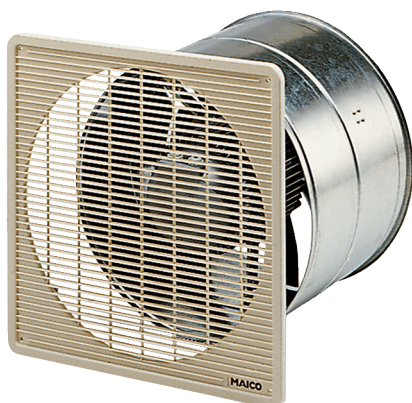


# DZF 50/6 B



## Short description

Axial wall fan for recessed-mounted installation, DN 500, three-phase AC

## Application examples

Changing room, Foreman's office, Restaurant, Garage, Fitness room

Article number 0085.0111

## Technical data

Model	Wall sleeve
Air flow volume	5.480 m <sup>3</sup> /h
Air volume <sub>nom</sub>	3.300 m <sup>3</sup> /h (in opt. efficiency)
Pressure p <sub>fs, nom</sub>	67 Pa (in opt. efficiency)
Rotating speed n <sub>nom</sub>	975 1/min (in opt. efficiency)
Rotating speed	978 1/min
Impeller type	axial
Speed controllable	✓
Reversing capacity	✓
Type of voltage	Three-phase AC
Rated voltage	400 V
Frequency	50 Hz
Nominal output	220 W (in opt. efficiency)
I <sub>nom</sub>	0,6 A (in opt. efficiency)
I <sub>max</sub>	0,7 A
Degree of protection	IP 55
Insulation class	B
Mains cable	7 x 1,5 mm <sup>2</sup>
Installation site	Wall / Ceiling
Type of installation	Recessed-mounted
Installation position	horizontal / vertical
Material	Sheet steel, galvanised
Colour	Silver
Weight	20,4 kg
Weight including packaging	22,41 kg
Nominal size	500 mm
Width	580 mm
Height	580 mm
Depth	315 mm

# DZF 50/6 B

Width with packaging	600 mm
Height with packaging	600 mm
Depth with packaging	360 mm
Airstream temperature at nominal current	-20 °C up to 60 °C
Airstream temperature at $I_{Max}$	-20 °C up to 60 °C
Packing unit	1 piece
Range	C
GTIN (EAN)	4012799851110

## Technical data according to ErP in Best Efficiency Point (BEP)

Total efficiency $\eta$	32,5 %
Measurement category	A
Efficiency category	static
Efficiency level N	42,9
VSD necessary	No
Year of manufacture	see rating plate
Manufacturer's name / official registration number / manufacturer's place of establishment	Maico Elektroapparate-Fabrik GmbH / Freiburg registration court, HRB 601233 / Villingen-Schwenningen
Art. No.	0085.0111
$P_{BEP}$ / Air volume $_{BEP}$ / $P_{fs, BEP}$	0,22 kW / 3.780 m <sup>3</sup> /h / 68 Pa
$n_{BEP}$	956 1/min
Specific ratio	$\approx 1$
Information about dismantling and disposal	see mounting instructions
Information about installation, operation and repairs	see mounting instructions
Objects used to measure efficiency which are not described by the measurement category	Calculation of energy efficiency without protective grille.
Sound power level $_{L_{WA7}}$	78 dB(A)

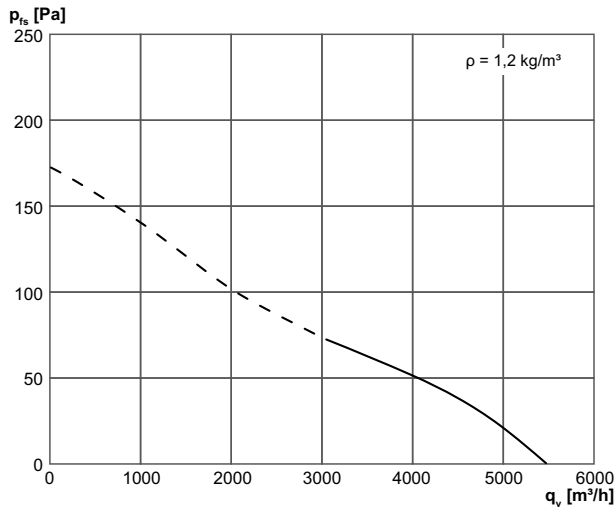
## Sound power level in octave range

	63 Hz	125 Hz	250 Hz	500 Hz	1 kHz	2 kHz	4 kHz	8 kHz	Total
<b><math>L_{WA7, S5}</math> (dB(A))</b>	27	65	69	70	70	68	62	51	76

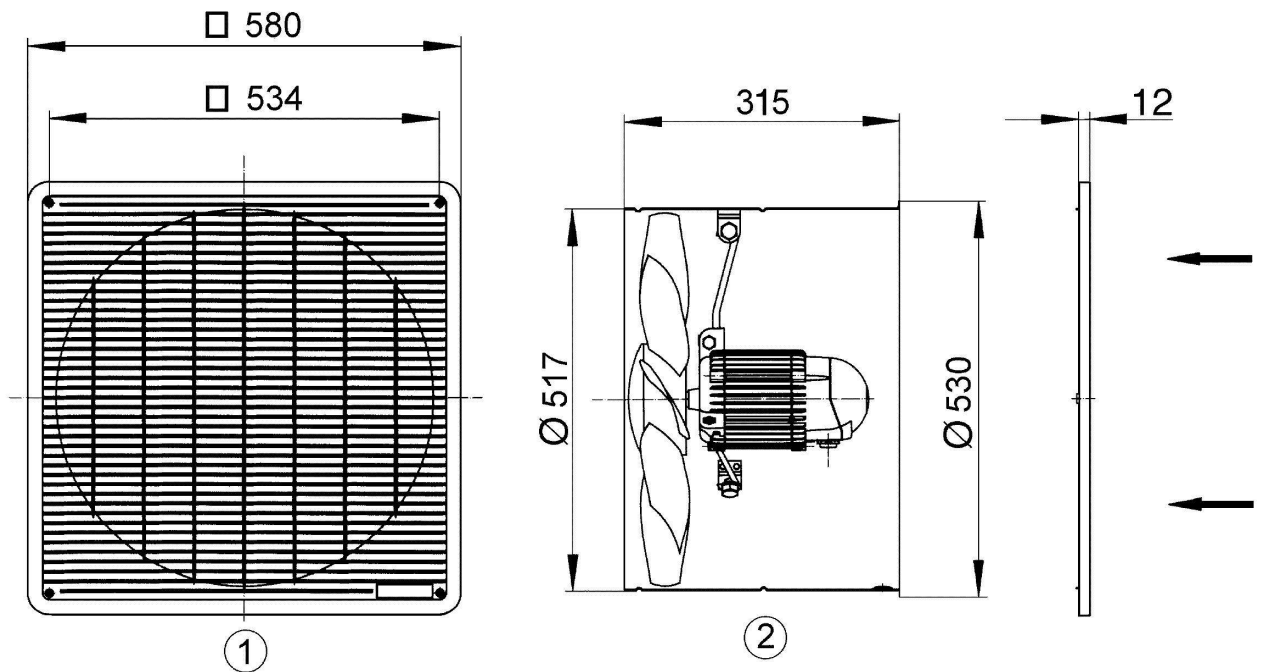
$L_{WA7}$ = housing and free inlet sound power level in dB.

# DZF 50/6 B

## Characteristic curve



## Dimensioned drawing [mm]



- ① Protective grille on intake side
- ② Air flow direction with air drawn across the motor

DZF 50/6 B

