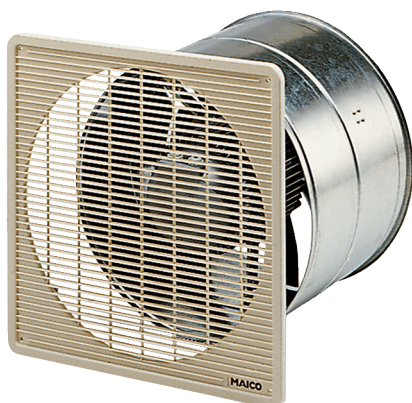


DZF 50/8 B



Short description

Axial wall fan for recessed-mounted installation, DN 500, three-phase AC

Application examples

Changing room, Foreman's office, Restaurant, Garage, Fitness room

Article number 0085.0110

Technical data

Air flow volume	3.800 m ³ /h
Rotating speed	715 1/min
Speed controllable	✓
Reversing capacity	✓
Type of voltage	Three-phase AC
Rated voltage	400 V
Frequency	50 Hz
Nominal output	140 W
Power consumption	150 W
I _{nom}	0,55 A
I _{max}	0,6 A
Degree of protection	IP 55
Insulation class	B
Mains cable	7 x 1,5 mm ²
Installation site	Wall / Ceiling
Type of installation	Recessed-mounted
Installation position	horizontal / vertical
Material	Sheet steel, galvanised
Weight	14,76 kg
Weight including packaging	16,77 kg
Nominal size	500 mm
Width with packaging	595 mm
Height with packaging	365 mm
Depth with packaging	595 mm
Airstream temperature at nominal current	60 °C
Airstream temperature at I _{Max}	60 °C
Packing unit	1 piece
Range	C
GTIN (EAN)	4012799851103

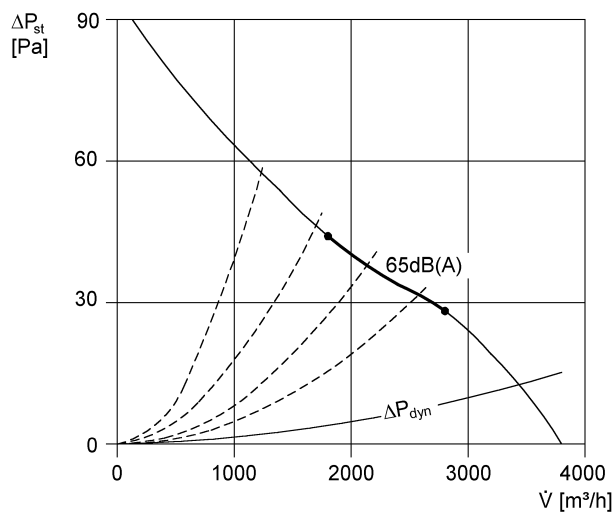
DZF 50/8 B

Sound power level in octave range

	63 Hz	125 Hz	250 Hz	500 Hz	1 kHz	2 kHz	4 kHz	8 kHz	Total
L_{WA5, S5} (dB(A))	44	60	63	62	62	60	53	41	69

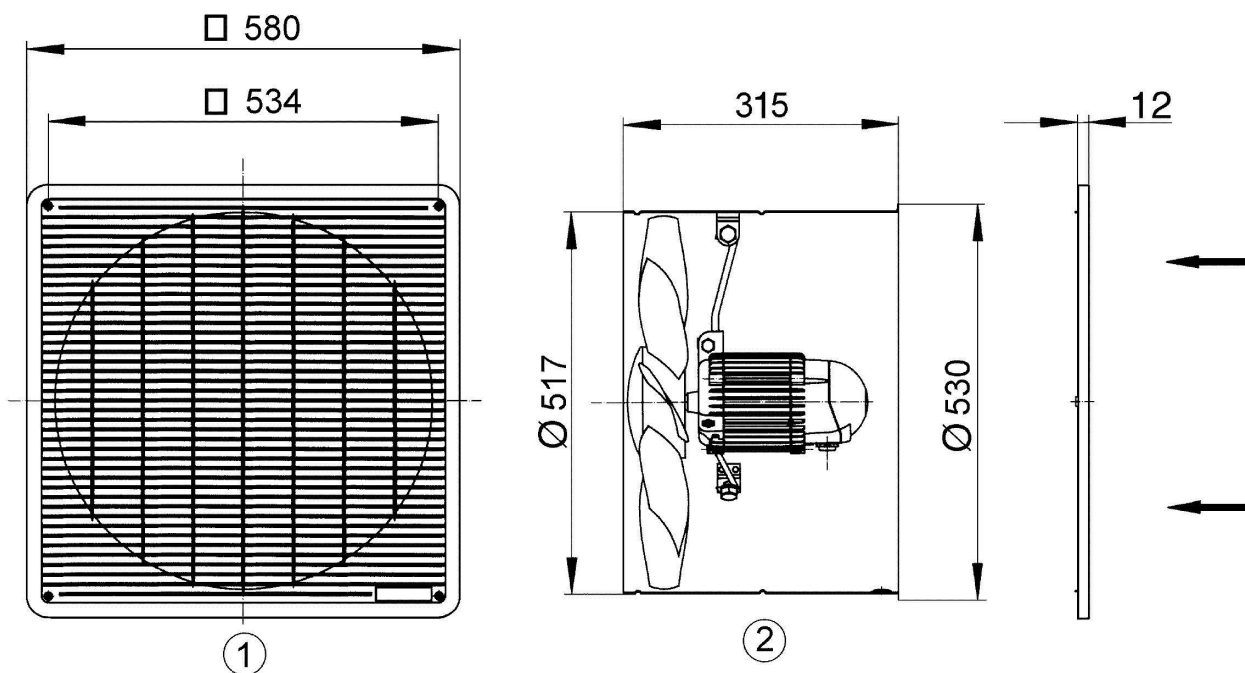
L_{WA5}= free inlet sound power level in dB.

Characteristic curve



DZF 50/8 B

Dimensioned drawing [mm]



- ① Protective grille on intake side
- ② Air flow direction with air drawn across the motor