

DZL 35/42 B



Short description

Axial duct fan, DN 350, three-phase AC

Application examples

Machine extraction unit, Workplace air extraction system, Workshop, Foreman's office, Production site

Article number 0086.0096

Technical data

Model	Stabiliser
Air flow volume	2.890 m ³ /h / 5.800 m ³ /h
Speed controllable	✓
Reversing capacity	–
Type of voltage	Three-phase AC
Rated voltage	400 V
Frequency	50 Hz
Degree of protection	IP 55
Insulation class	F
Pole-changeable	✓
Number of poles at high speed	2
Number of poles at low speed	4
Mains cable	7 x 1,5 mm ²
Installation position	vertical / horizontal
Material	Sheet steel, galvanised
Weight	13,6 kg
Weight including packaging	15,34 kg
Nominal size	350 mm
Width with packaging	475 mm
Height with packaging	495 mm
Depth with packaging	350 mm
Airstream temperature at nominal current	-20 °C up to 60 °C
Airstream temperature at I _{Max}	-20 °C up to 60 °C
Packing unit	1 piece
Range	C
GTIN (EAN)	4012799860969

DZL 35/42 B

Technical data according to ErP in Best Efficiency Point (BEP)

Total efficiency η	46,6 %
Measurement category	D
Efficiency category	total
Efficiency level N	53,7
VSD necessary	No
Year of manufacture	see rating plate
Manufacturer's name / official registration number / manufacturer's place of establishment	Maico Elektroapparate-Fabrik GmbH / Freiburg registration court, HRB 601233 / Villingen-Schwenningen
Art. No.	0086.0096
P_{BEP} / Air volume $_{BEP}$ / $P_{fs, BEP}$	0,123 kW / 0,765 kW / 2.130 m ³ /h / 4.010 m ³ /h / 80 Pa / 320 Pa
n_{BEP}	1.460 1/min / 2.830 1/min
Specific ratio	≈ 1
Information about dismantling and disposal	see mounting instructions
Information about installation, operation and repairs	see mounting instructions
Objects used to measure efficiency which are not described by the measurement category	-
I_{BEP}	0,4 A / 1,4 A
Sound power level $_{L_{WA5}}$	69 dB(A) / 86 dB(A)

Sound power level in octave range

	63 Hz	125 Hz	250 Hz	500 Hz	1 kHz	2 kHz	4 kHz	8 kHz	Total
$L_{WA2, low}$ (dB(A))	28	43	54	59	58	53	52	40	63
$L_{WA2, high}$ (dB(A))	42	56	60	71	80	71	69	57	82
$L_{WA5, low}$ (dB(A))	30	45	63	71	67	66	61	50	74
$L_{WA5, high}$ (dB(A))	41	55	72	81	89	87	79	72	92
$L_{WA6, low}$ (dB(A))	51	56	64	76	75	75	74	71	82
$L_{WA6, high}$ (dB(A))	65	67	77	89	97	92	88	84	99

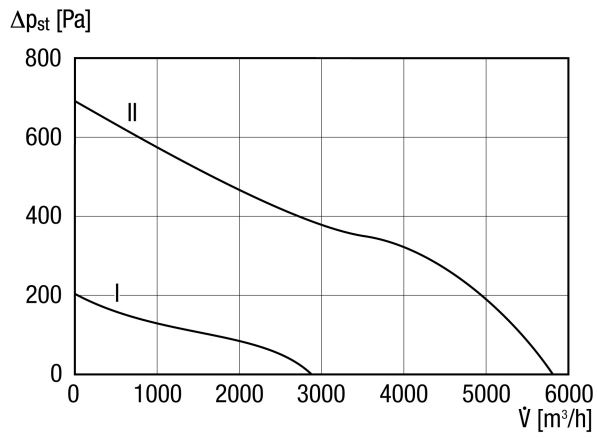
L_{WA2} = housing sound power level in dB.

L_{WA5} = free inlet sound power level in dB.

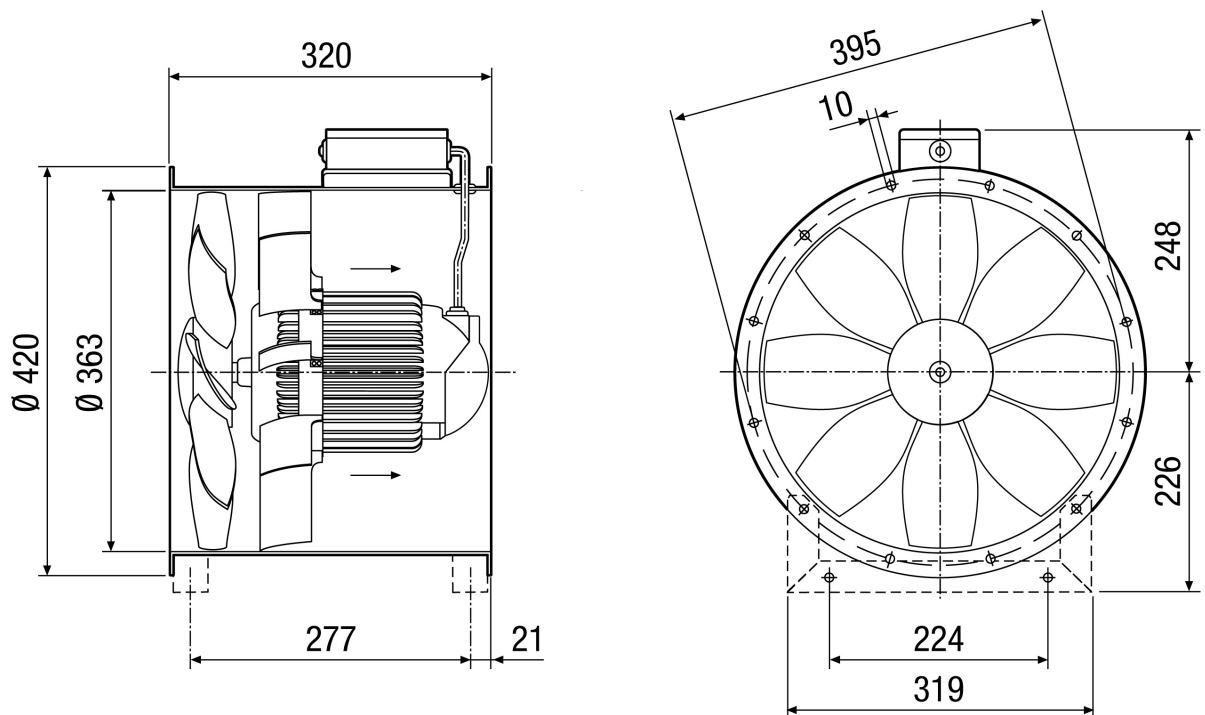
L_{WA6} = free outlet sound power level in dB.

DZL 35/42 B

Characteristic curve



Dimensioned drawing [mm]



Number of flange holes: 8