

DZL 50/84 B



Short description

Axial duct fan, DN 500, three-phase AC

Application examples

Machine extraction unit, Workplace air extraction system, Workshop, Foreman's office, Production site

Article number 0086.0099

Technical data

Model	Stabiliser
Air flow volume	4.270 m ³ /h / 8.840 m ³ /h
Speed controllable	✓
Reversing capacity	–
Type of voltage	Alternating current
Rated voltage	400 V
Frequency	50 Hz
Degree of protection	IP 55
Insulation class	F
Pole-changeable	✓
Installation position	vertical / horizontal
Material	Sheet steel, galvanised
Weight	22,9 kg
Weight including packaging	26,41 kg
Nominal size	500 mm
Width with packaging	635 mm
Height with packaging	410 mm
Depth with packaging	645 mm
Airstream temperature at nominal current	60 °C
Airstream temperature at I _{Max}	-20 °C up to 60 °C
Packing unit	1 piece
Range	C
GTIN (EAN)	4012799860990

Technical data according to ErP in Best Efficiency Point (BEP)

Total efficiency η	45,8 %
Measurement category	D
Efficiency category	total

DZL 50/84 B

Efficiency level N	53,1
VSD necessary	No
Year of manufacture	see rating plate
Manufacturer's name / official registration number / manufacturer's place of establishment	Maico Elektroapparate-Fabrik GmbH / Freiburg registration court, HRB 601233 / Villingen-Schwenningen
Art. No.	0086.0099
P_{BEP} / Air volume $_{BEP}$ / $P_{fs, BEP}$	0,135 kW / 0,69 kW / 2.950 m ³ /h / 6.110 m ³ /h / 45 Pa / 186 Pa
η_{BEP}	730 1/min / 1.460 1/min
Specific ratio	≈ 1
Information about dismantling and disposal	see mounting instructions
Information about installation, operation and repairs	see mounting instructions
Objects used to measure efficiency which are not described by the measurement category	-
I_{BEP}	0,55 A / 1,5 A
Sound power level $_{L_{WA5}}$	67 dB(A) / 83 dB(A)

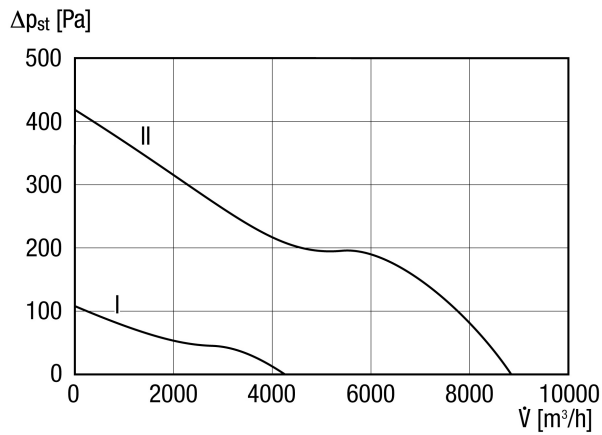
Sound power level in octave range

	63 Hz	125 Hz	250 Hz	500 Hz	1 kHz	2 kHz	4 kHz	8 kHz	Total
$L_{WA2, S4}$ (dB(A))	32	48	49	50	50	48	41	32	56
$L_{WA, S5}$ (dB(A))	42	53	65	69	70	67	62	51	75
$L_{WA, S4}$ (dB(A))	30	49	60	59	58	56	49	37	65
$L_{WA, S5}$ (dB(A))	40	57	76	79	79	76	71	61	84
$L_{WA, S4}$ (dB(A))	46	56	63	66	68	68	69	66	75
$L_{WA, S5}$ (dB(A))	62	69	78	86	86	85	83	80	92

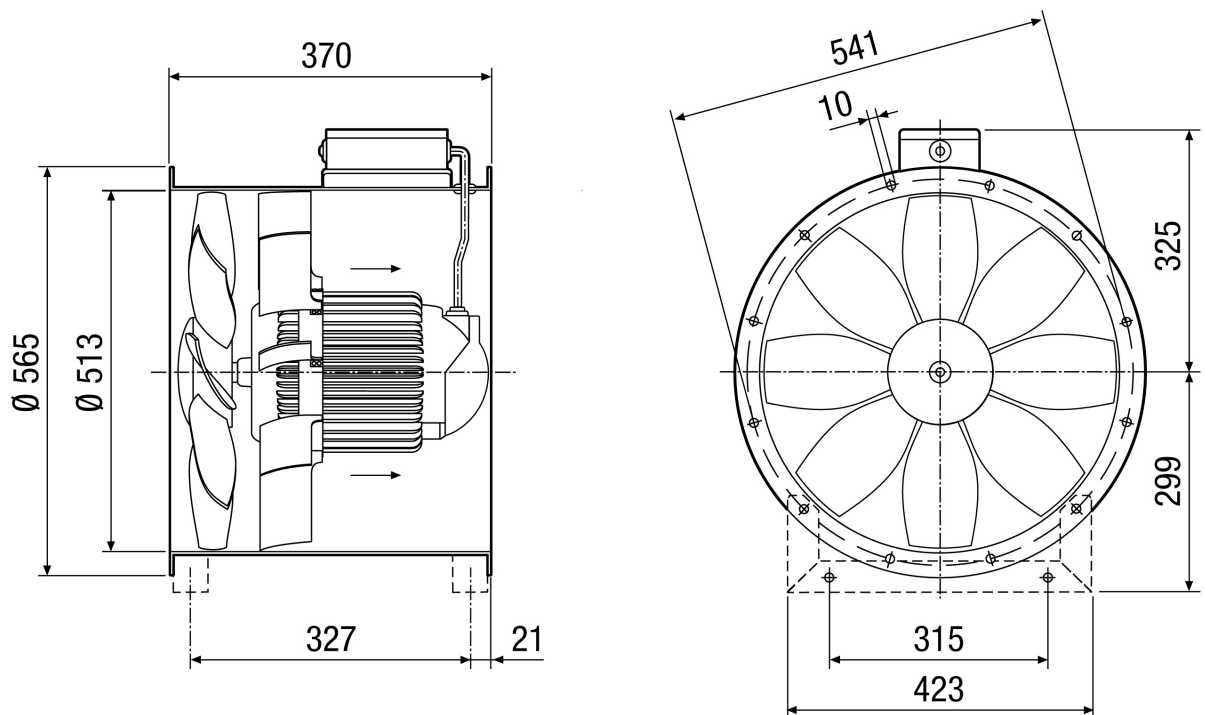
L_{WA2} = housing sound power level in dB.

DZL 50/84 B

Characteristic curve



Dimensioned drawing [mm]



Number of flange holes: 12