

# DZL 60/4 B



## Short description

Axial duct fan, DN 600, three-phase AC

## Application examples

Machine extraction unit, Workplace air extraction system, Workshop, Foreman's office, Production site

Article number 0086.0092

## Technical data

Model	Stabiliser
Air flow volume	14.450 m <sup>3</sup> /h
Speed controllable	✓
Reversing capacity	–
Frequency	50 Hz
I <sub>max</sub>	3,6 A
Degree of protection	IP 55
Pole-changeable	–
Mains cable	7 x 1,5 mm <sup>2</sup>
Installation position	vertical / horizontal
Material	Sheet steel, galvanised
Weight	39,6 kg
Weight including packaging	43 kg
Nominal size	600 mm
Width with packaging	780 mm
Height with packaging	430 mm
Depth with packaging	780 mm
Airstream temperature at nominal current	60 °C
Airstream temperature at I <sub>Max</sub>	-20 °C up to 60 °C
Packing unit	1 piece
Range	C
GTIN (EAN)	4012799860921

## Technical data according to ErP in Best Efficiency Point (BEP)

Total efficiency $\eta$	45,4 %
Measurement category	D
Efficiency category	total
Efficiency level N	51

# DZL 60/4 B

VSD necessary	No
Year of manufacture	see rating plate
Manufacturer's name / official registration number / manufacturer's place of establishment	Maico Elektroapparate-Fabrik GmbH / Freiburg registration court, HRB 601233 / Villingen-Schwenningen
Art. No.	0086.0092
$P_{BEP}$ / Air volume $_{BEP}$ / $P_{fs, BEP}$	1,33 kW / 10.120 m <sup>3</sup> /h / 215 Pa
$n_{BEP}$	1.350 1/min
Specific ratio	≈ 1
Information about dismantling and disposal	see mounting instructions
Information about installation, operation and repairs	see mounting instructions
Objects used to measure efficiency which are not described by the measurement category	-
$I_{BEP}$	2,3 A
Sound power level $L_{WA5}$	87 dB(A)

## Sound power level in octave range

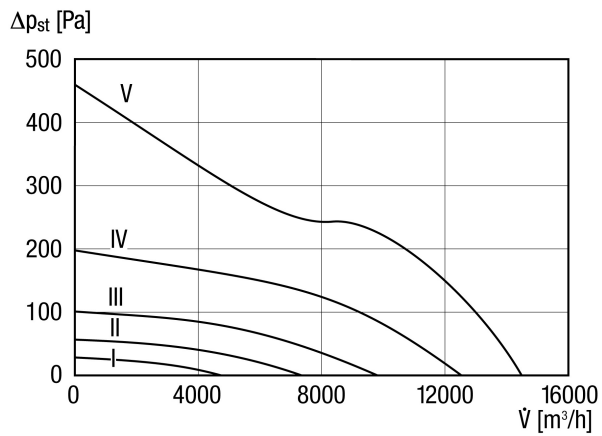
	63 Hz	125 Hz	250 Hz	500 Hz	1 kHz	2 kHz	4 kHz	8 kHz	Total
$L_{WA2, S1}$ (dB(A))	32	37	41	45	41	36	27	21	48
$L_{WA2, S2}$ (dB(A))	36	48	49	61	52	49	38	28	62
$L_{WA2, S3}$ (dB(A))	38	53	57	63	60	58	48	36	66
$L_{WA2, S4}$ (dB(A))	43	57	60	67	67	64	55	44	72
$L_{WA2, S5}$ (dB(A))	48	57	67	73	72	69	61	51	77
$L_{WA5, S1}$ (dB(A))	37	45	58	54	53	51	41	27	61
$L_{WA5, S2}$ (dB(A))	37	59	64	68	66	63	55	43	72
$L_{WA5, S3}$ (dB(A))	38	63	64	75	74	70	64	52	79
$L_{WA5, S4}$ (dB(A))	42	69	70	77	80	76	70	59	83
$L_{WA5, S5}$ (dB(A))	44	65	80	85	84	80	74	64	89
$L_{WA6, S1}$ (dB(A))	48	46	55	59	64	63	65	63	70
$L_{WA6, S2}$ (dB(A))	50	61	67	71	74	73	75	72	81
$L_{WA6, S3}$ (dB(A))	57	66	72	79	80	79	79	77	86

# DZL 60/4 B

	63 Hz	125 Hz	250 Hz	500 Hz	1 kHz	2 kHz	4 kHz	8 kHz	Total
<b>L<sub>WA6, S4</sub></b> <b>(dB(A))</b>	62	70	77	84	86	84	83	80	91
<b>L<sub>WA6, S5</sub></b> <b>(dB(A))</b>	65	71	81	90	91	88	87	83	96

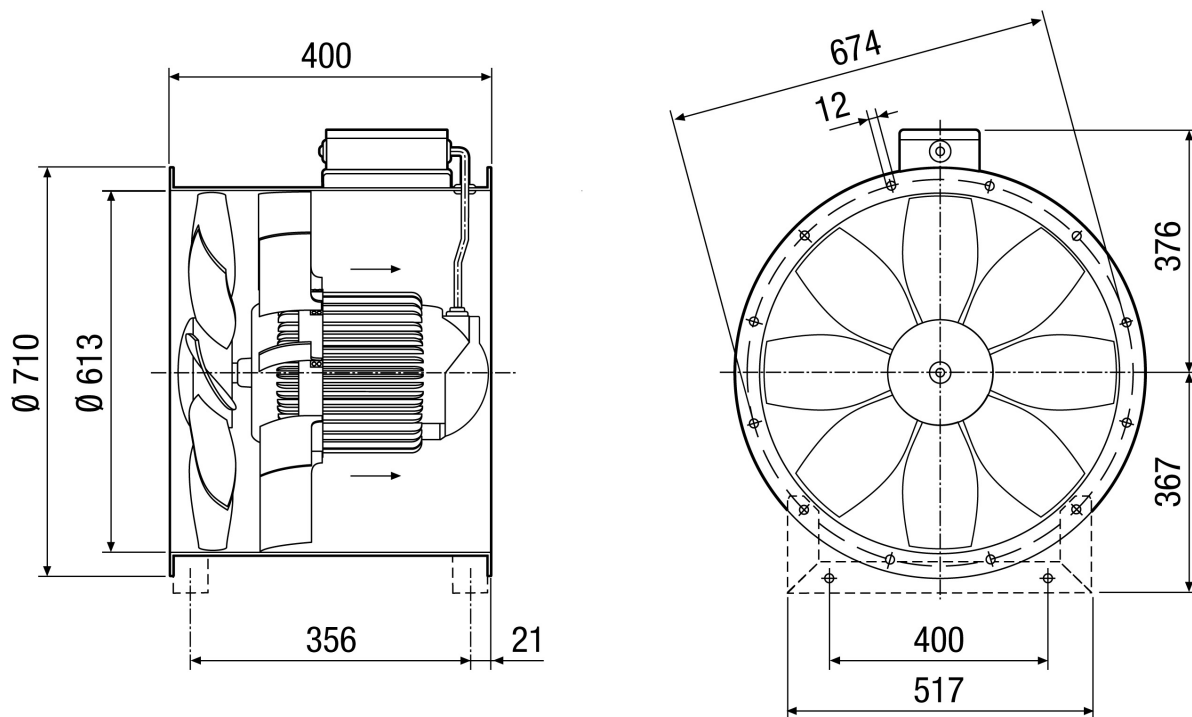
L<sub>WA2</sub>= housing sound power level in dB.  
 L<sub>WA5</sub>= free inlet sound power level in dB.  
 L<sub>WA6</sub>= free outlet sound power level in dB.

## Characteristic curve



# DZL 60/4 B

Dimensioned drawing [mm]



Number of flange holes: 16