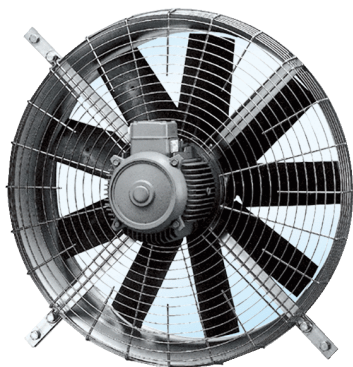


# DZQ 100/12



## Short description

Axial wall fan with square wall plate, DN 1000, three-phase AC

## Application examples

Production site, Industrial building, Storage facility, Laboratory, Workshop

Article number 0083.0646

## Technical data

Model	Square wall plate
Air flow volume	22.000 m <sup>3</sup> /h
Rotating speed	465 1/min
Speed controllable	✓
Type of voltage	Three-phase AC
Rated voltage	400 V
Nominal output	650 W
I <sub>nom</sub>	1,8 A
I <sub>max</sub>	1,95 A
Degree of protection	IP 54
Insulation class	F
Mains cable	5 x 1,5 mm <sup>2</sup>
Installation position	horizontal
Material	Sheet steel, galvanised
Weight	76
Nominal size	1.000 mm
Airstream temperature at nominal current	80 °C
Packing unit	1 piece
Range	C
GTIN (EAN)	4012799836469

## Sound power level in octave range

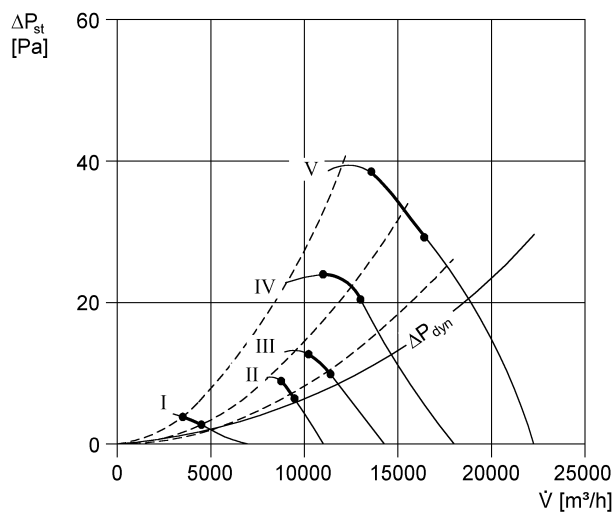
	63 Hz	125 Hz	250 Hz	500 Hz	1 kHz	2 kHz	4 kHz	8 kHz	Total
L <sub>WA7, S1</sub> (dB(A))	54	61	67	67	70	70	61	48	51
L <sub>WA7, S2</sub> (dB(A))	56	62	66	66	78	79	81	78	61

# DZQ 100/12

	63 Hz	125 Hz	250 Hz	500 Hz	1 kHz	2 kHz	4 kHz	8 kHz	Total
L <sub>WA7</sub> , S3 (dB(A))	-	-	-	-	-	-	-	-	67
L <sub>WA7</sub> , S4 (dB(A))	-	-	-	-	-	-	-	-	72
L <sub>WA7</sub> , S5 (dB(A))	-	-	-	-	-	-	-	-	75
L <sub>WA8</sub> , S1 (dB(A))	-	-	-	-	-	-	-	-	50
L <sub>WA8</sub> , S2 (dB(A))	-	-	-	-	-	-	-	-	74
L <sub>WA8</sub> , S3 (dB(A))	-	-	-	-	-	-	-	-	75
L <sub>WA8</sub> , S4 (dB(A))	-	-	-	-	-	-	-	-	83
L <sub>WA8</sub> , S5 (dB(A))	-	-	-	-	-	-	-	-	85

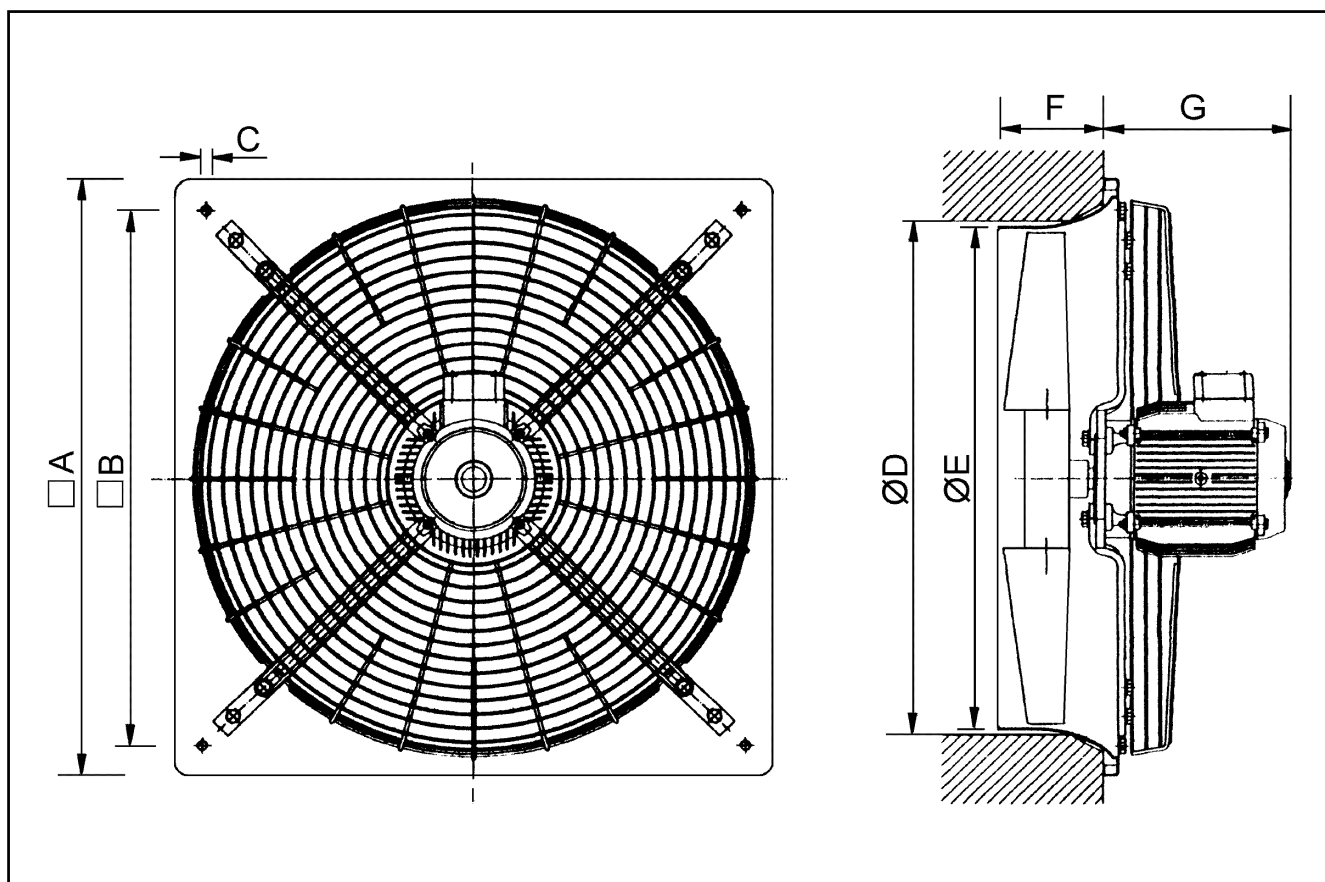
L<sub>WA7</sub>= housing and free inlet sound power level in dB.  
 L<sub>WA8</sub>= housing and free outlet sound power level in dB.

## Characteristic curve



# DZQ 100/12

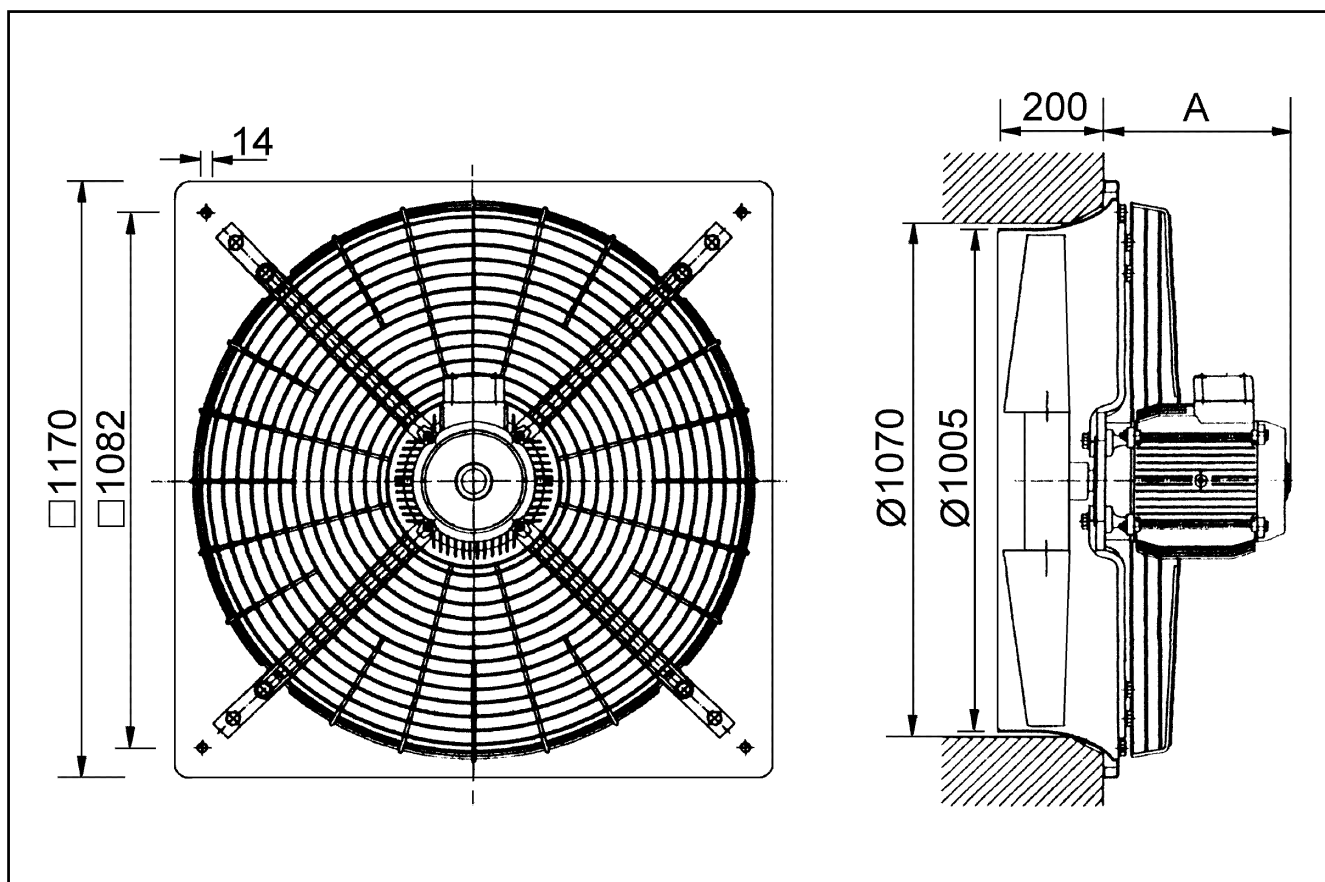
Dimensioned drawing [mm]



A	B	C	D	E	F	G
240	1.082	14	1.070	1.005	200	240

# DZQ 100/12

Dimensioned drawing [mm]



A	B	C	D	E	F	G
240	1.082	14	1.070	1.005	200	240