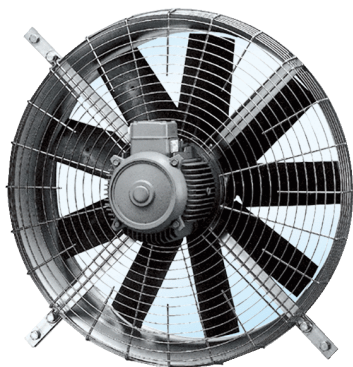


DZQ 100/6



Short description

Axial wall fan with square wall plate, DN 1000, three-phase AC

Application examples

Production site, Industrial building, Storage facility, Laboratory, Workshop

Article number 0083.0648

Technical data

Model	Square wall plate
Air flow volume	43.000 m ³ /h
Rotating speed	930 1/min
Speed controllable	✓
Type of voltage	Three-phase AC
Rated voltage	400 V
Nominal output	4.100 W
I _{nom}	6,7 A
I _{max}	7,5 A
Degree of protection	IP 54
Insulation class	F
Mains cable	5 x 1,5 mm ²
Installation position	horizontal
Material	Sheet steel, galvanised
Weight	103
Nominal size	1.000 mm
Airstream temperature at nominal current	80 °C
Packing unit	1 piece
Range	C
GTIN (EAN)	4012799836483

Sound power level in octave range

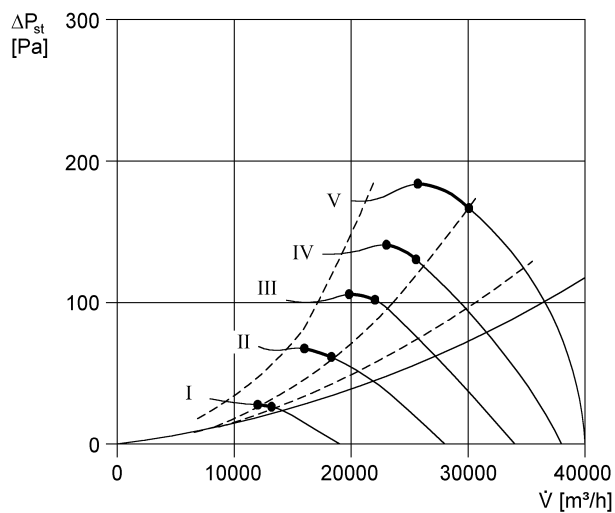
	63 Hz	125 Hz	250 Hz	500 Hz	1 kHz	2 kHz	4 kHz	8 kHz	Total
L _{WA7, S1} (dB(A))	65	81	86	92	90	88	84	73	73
L _{WA7, S2} (dB(A))	75	84	87	91	95	95	97	94	83

DZQ 100/6

	63 Hz	125 Hz	250 Hz	500 Hz	1 kHz	2 kHz	4 kHz	8 kHz	Total
L _{WA7} , S3 (dB(A))	-	-	-	-	-	-	-	-	90
L _{WA7} , S4 (dB(A))	-	-	-	-	-	-	-	-	93
L _{WA7} , S5 (dB(A))	-	-	-	-	-	-	-	-	96
L _{WA8} , S1 (dB(A))	-	-	-	-	-	-	-	-	85
L _{WA8} , S2 (dB(A))	-	-	-	-	-	-	-	-	91
L _{WA8} , S3 (dB(A))	-	-	-	-	-	-	-	-	96
L _{WA8} , S4 (dB(A))	-	-	-	-	-	-	-	-	100
L _{WA8} , S5 (dB(A))	-	-	-	-	-	-	-	-	102

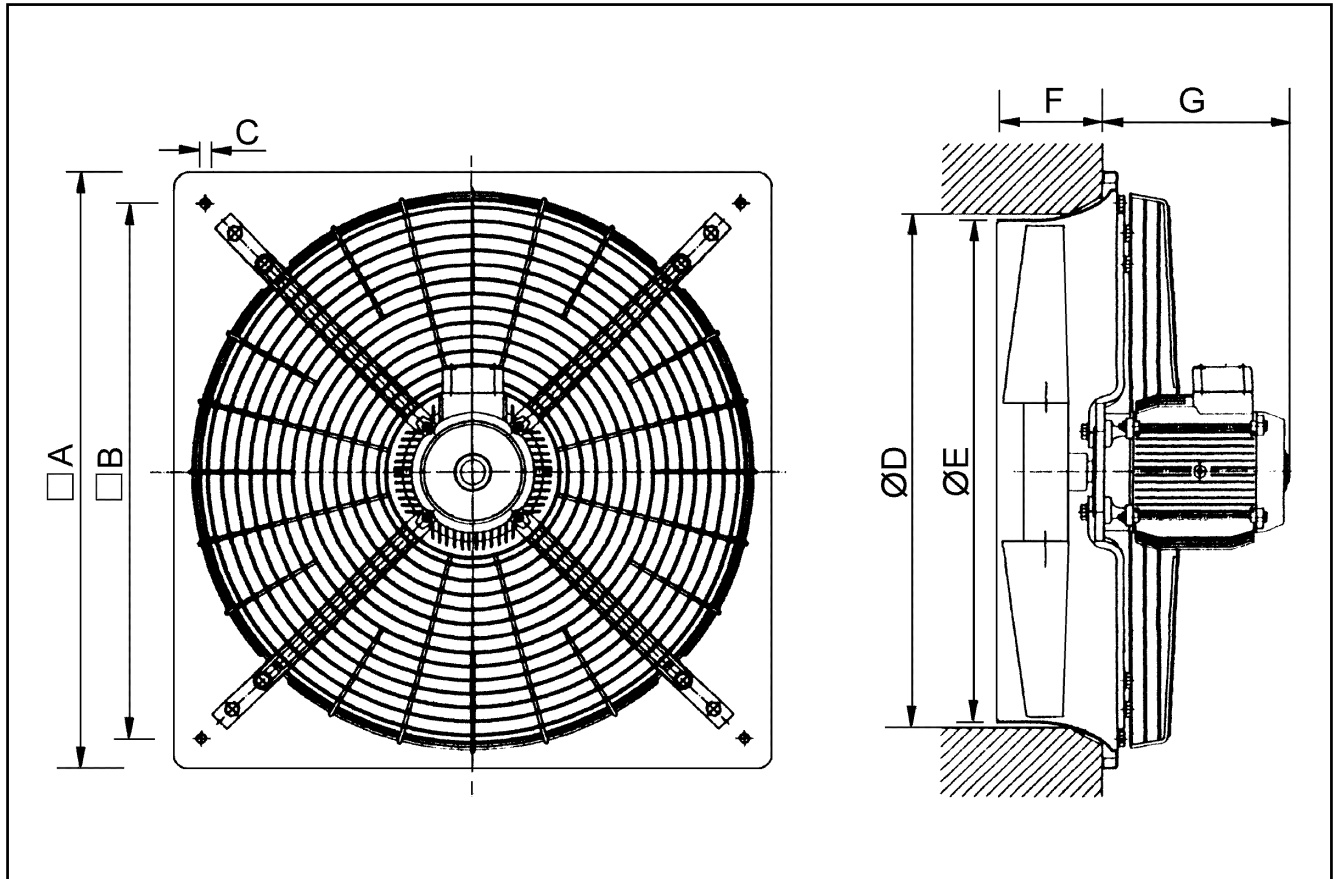
L_{WA7}= housing and free inlet sound power level in dB.
 L_{WA8}= housing and free outlet sound power level in dB.

Characteristic curve



DZQ 100/6

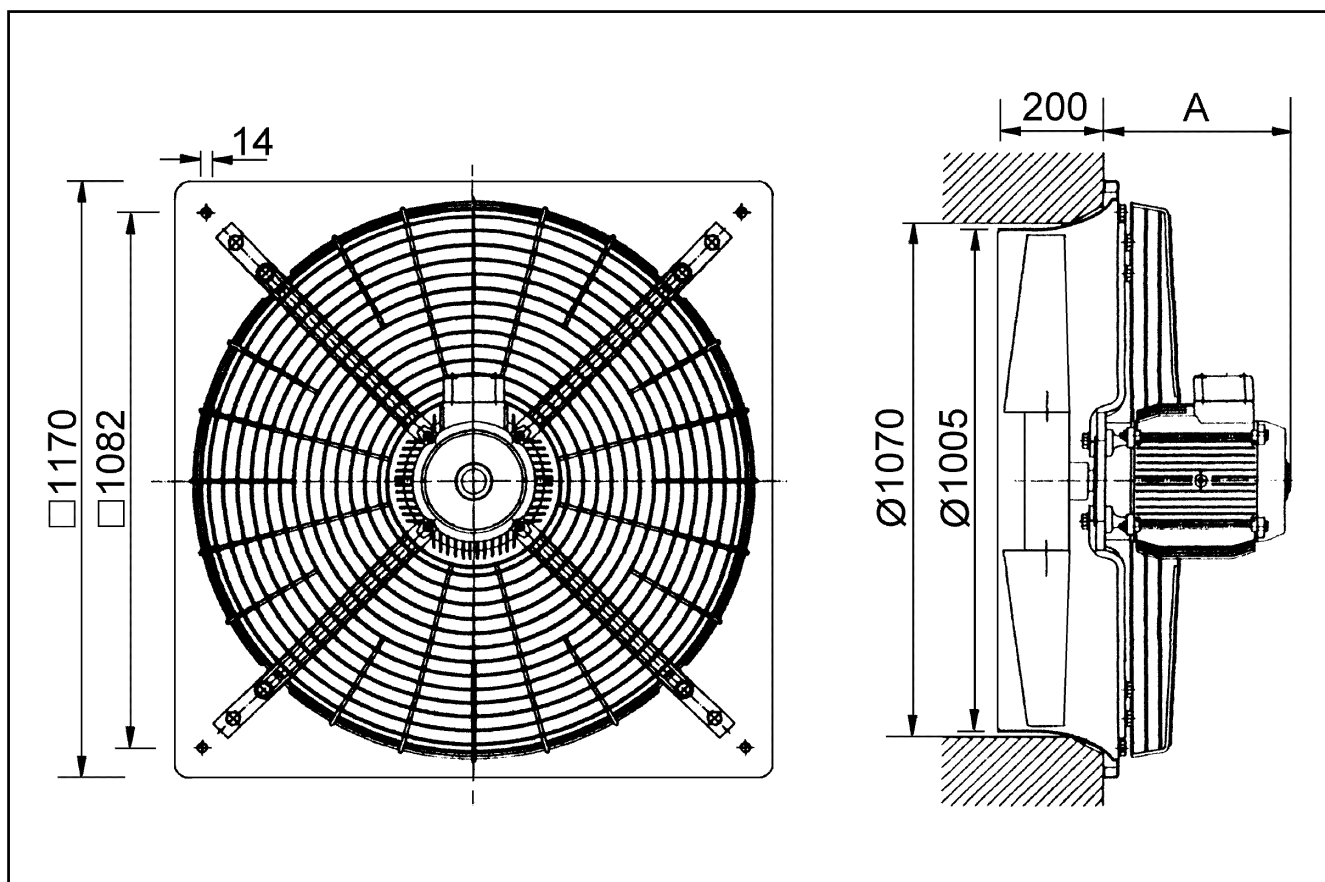
Dimensioned drawing [mm]



A	B	C	D	E	F	G
370	1.082	14	1.070	1.005	200	370

DZQ 100/6

Dimensioned drawing [mm]



A	B	C	D	E	F	G
370	1.082	14	1.070	1.005	200	370