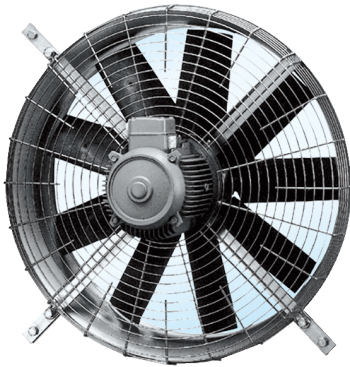


DZQ 100/8



Short description

Axial wall fan with square wall plate, DN 1000, three-phase AC

Application examples

Production site, Industrial building, Storage facility, Laboratory, Workshop

Article number 0083.0647

Technical data

Model	Square wall plate
Air flow volume	33.000 m ³ /h
Rotating speed	715 1/min
Speed controllable	✓
Type of voltage	Three-phase AC
Rated voltage	400 V
Nominal output	1.700 W
I _{nom}	4 A
I _{max}	4,5 A
Degree of protection	IP 54
Insulation class	F
Mains cable	5 x 1,5 mm ²
Installation position	horizontal
Material	Sheet steel, galvanised
Weight	94
Nominal size	1.000 mm
Airstream temperature at nominal current	80 °C
Packing unit	1 piece
Range	C
GTIN (EAN)	4012799836476

Sound power level in octave range

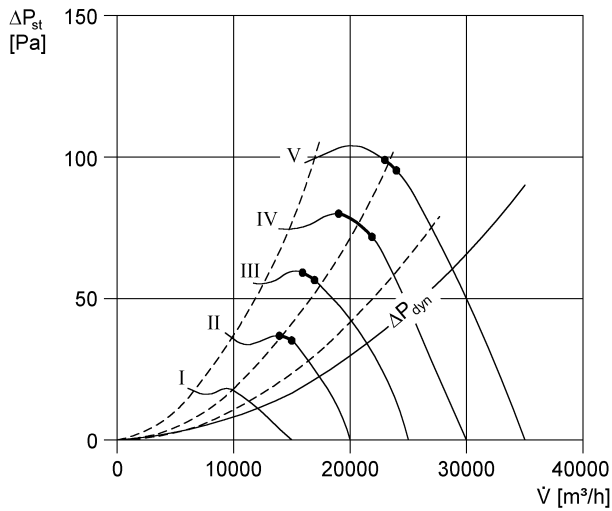
	63 Hz	125 Hz	250 Hz	500 Hz	1 kHz	2 kHz	4 kHz	8 kHz	Total
L _{WA7, S1} (dB(A))	59	77	78	79	82	81	75	62	64
L _{WA7, S2} (dB(A))	66	77	79	80	88	89	91	88	74

DZQ 100/8

	63 Hz	125 Hz	250 Hz	500 Hz	1 kHz	2 kHz	4 kHz	8 kHz	Total
L _{WA7} , S3 (dB(A))	-	-	-	-	-	-	-	-	80
L _{WA7} , S4 (dB(A))	-	-	-	-	-	-	-	-	84
L _{WA7} , S5 (dB(A))	-	-	-	-	-	-	-	-	87
L _{WA8} , S1 (dB(A))	-	-	-	-	-	-	-	-	77
L _{WA8} , S2 (dB(A))	-	-	-	-	-	-	-	-	86
L _{WA8} , S3 (dB(A))	-	-	-	-	-	-	-	-	90
L _{WA8} , S4 (dB(A))	-	-	-	-	-	-	-	-	93
L _{WA8} , S5 (dB(A))	-	-	-	-	-	-	-	-	95

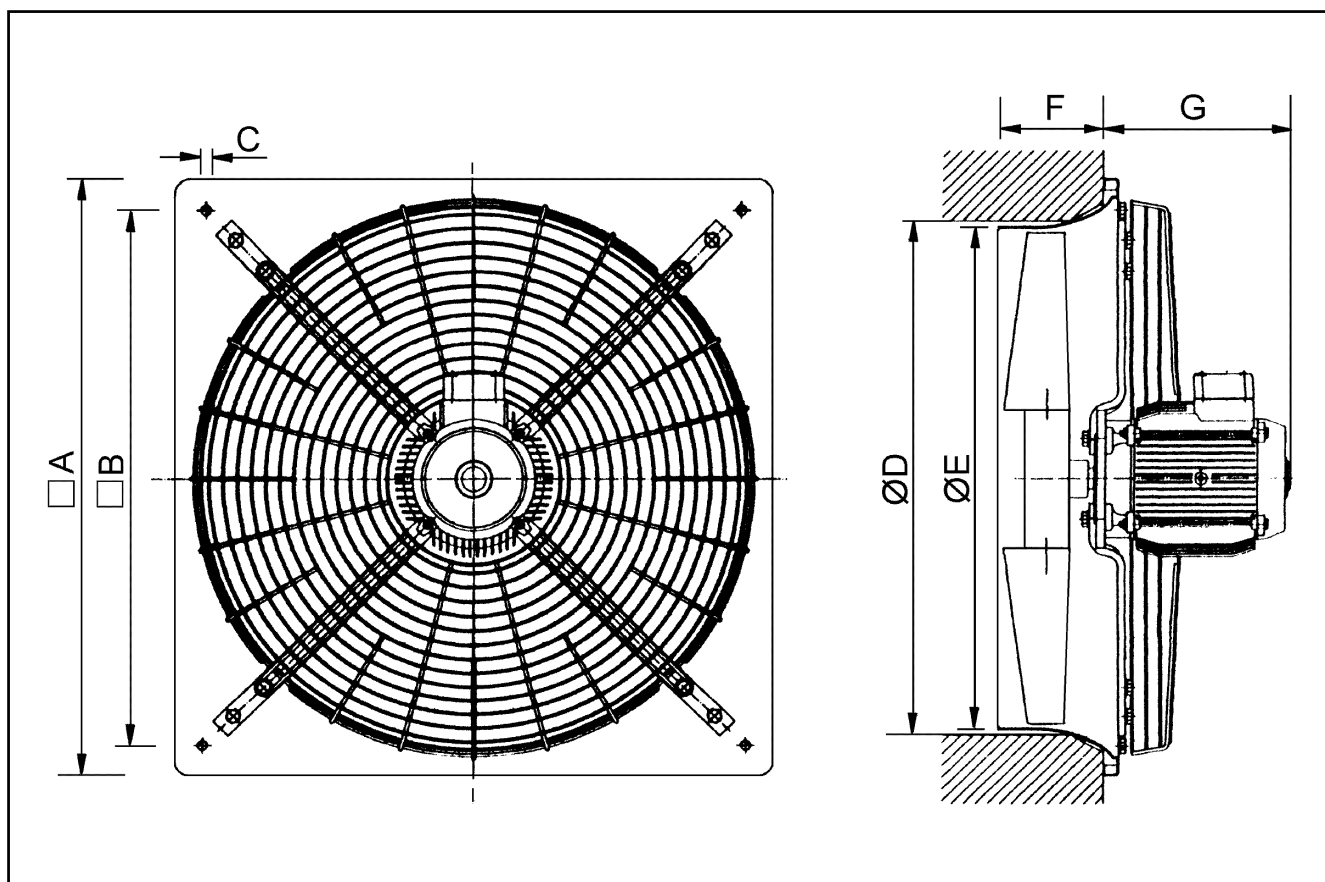
L_{WA7}= housing and free inlet sound power level in dB.
 L_{WA8}= housing and free outlet sound power level in dB.

Characteristic curve



DZQ 100/8

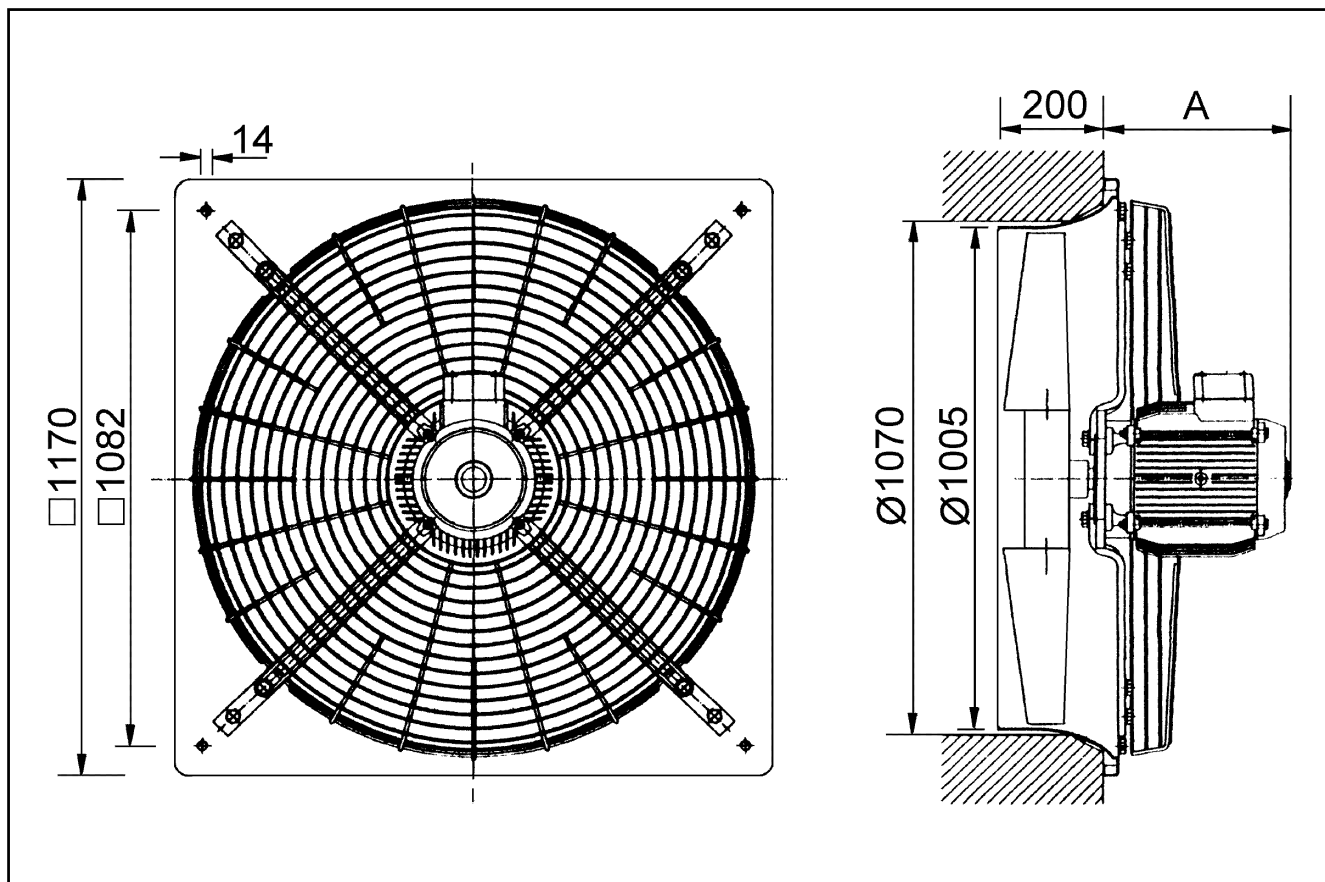
Dimensioned drawing [mm]



A	B	C	D	E	F	G
300	1.082	14	1.070	1.005	200	300

DZQ 100/8

Dimensioned drawing [mm]



A	B	C	D	E	F	G
300	1.082	14	1.070	1.005	200	300